



Ø22mm Push-Buttons & Selector Switches (LED-Lighted or Non-Lighted Switches with Robust Solid Metal Mounting Base)

1. Ø22mm Push-Button Switches – Form-A1 & Form-A2



**Form-A1
LED-Lighted**
(without Matt Metallic-Bezel)



**Form-A1
Non-Lighted**
(without Matt Metallic-Bezel)



**Form-A2
LED-Lighted**
(with Matt Metallic-Bezel)



**Form-A2
Non-Lighted**
(with Matt Metallic-Bezel)

2. 22mm Dual Push-Button Switches – Form-C



**Form-C
LED-Lighted**
(with Matt Metallic-Bezel)



**Form-C
Non-Lighted**
(with Matt Metallic-Bezel)

LED Lighted version
available only with
Amber Illumination

Dual-Button Switch
available only with
Matt Metallic-Bezel

3. Ø22mm Mushroom-Head Push-Button Switches -- Form-F11, F12, F13, F14, F21, F22, F23 & F24



**Emergency Switch
Form-F11
Non-Lighted**
Ø40mm
(without Matt Metallic-Bezel)



**Form-F12
Non-Lighted**
Ø40mm
(without Matt Metallic-Bezel)



**Form-F13
LED-Lighted**
Ø40mm
(without Matt Metallic-Bezel)



**Form-F14
Key-Lock switch**
Ø40mm
(without Matt Metallic-Bezel)



Form-F21
(with Matt Metallic-Bezel)



Form-F22
(with Matt Metallic-Bezel)



Form-F23
(with Matt Metallic-Bezel)



Form-F24
(with Matt Metallic-Bezel)

4. Ø22mm Selector Switches - Form-F11, Form-F12, Form-F21 & Form-F22



**Form-F11
Non-Lighted Short-Lever**
(without Matt Metallic-bezel)



**Form-F11 (Lighted)
LED-Lighted Short-Lever**
(without Matt Metallic-bezel)



**Form-F12
Non-Lighted Long-Lever**
(without Matt Metallic-bezel)



Form-F21
(with Matt Metallic-Bezel)



Form-F21 (Lighted)
(with Matt Metallic-Bezel)



Form-F22
(with Matt Metallic-Bezel)

5. Ø22mm Key-Lock Selector Switch (Matt-metallic Finish) – Form-1



**Form-1
Key-Lock Switch**

6. Ø22mm Flush Push-Button Switches – Form-A3



**Form-A3
LED-Lighted**



**Form-A3
Non-Lighted**

Flat Flush Bevelled-Edge Matt
Solid Aluminum Actuator

7. 22mm Square Push-Button Switches – Form-B1



**Form-B1
LED-Lighted**



**Form-B1
Non-Lighted**



SOLITRONICS ENGINEERING LTD.

2202, Perfect Ind. Bldg., 31 Tai Yau St., San Po Kong, Kowloon, Hong Kong S.A.R., China

TEL : (852) 2730-8145

FAX : (852) 2730-3245

E-mail : info@solitronics.com

Ø22mm Push-Button Switch (LED-Lighted or Non-Lighted Switch with Metal Mounting Base)

Date:
4th November 2009

Group:

SE-22D-PB-FA1-2

Part Number:

SE-22D-PB - - FA - -

Data Sheet:

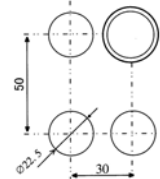
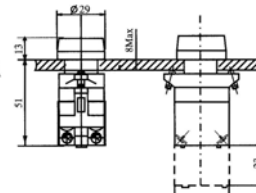
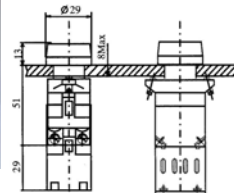
SE-22D-PB-FA1+2

IEC-60947 IP65

LED-Lighted



Non-Lighted



Form-A1
(without Matt Metallic-Bezel)

Form-A2
(with Matt Metallic-Bezel)

Outline Dimension
for Lighted

Outline Dimension
for Non-Lighted

Drilling
Plan



Product	Push-Button Actuator Style	Switching Action	Contact Block	Ordering Code	Lens-Color	LED Lamp Voltage
Round Push-Button	 Form-A1 (without Metallic-Bezel)	Momentary	1NO+1NC	SE-22D-PB11- <input type="checkbox"/> M-FA1	<input type="checkbox"/> = N for Non-Lighted R=Red G=Green Y=Yellow B=Blue W=White K=Black	00=No Lamp 21=6V AC/DC 22=12V AC/DC 23=24V AC/DC 24=36V AC/DC 25=48V AC/DC 26=110V AC/DC 27=127V AC/DC 28=220V DC only 31=220V AC only 32=380V AC only
			2NO	SE-22D-PB20- <input type="checkbox"/> M-FA1		
			2NC	SE-22D-PB02- <input type="checkbox"/> M-FA1		
		Maintained	1NO+1NC	SE-22D-PB11- <input type="checkbox"/> T-FA1		
			2NO	SE-22D-PB20- <input type="checkbox"/> T-FA1		
			2NC	SE-22D-PB02- <input type="checkbox"/> T-FA1		
Round Push-Button (with Matt-Metallic-Bezel)	 Form-A2 (with Matt Metallic-Bezel)	Momentary	1NO+1NC	SE-22D-PB11- <input type="checkbox"/> M-FA2	<input type="checkbox"/> = D for LED-Lighted R=Red G=Green Y=Yellow B=Blue W=White	
			2NO	SE-22D-PB20- <input type="checkbox"/> M-FA2		
			2NC	SE-22D-PB02- <input type="checkbox"/> M-FA2		
		Maintained	1NO+1NC	SE-22D-PB11- <input type="checkbox"/> T-FA2		
			2NO	SE-22D-PB20- <input type="checkbox"/> T-FA2		
			2NC	SE-22D-PB02- <input type="checkbox"/> T-FA2		

Note: Under Ordering Code System column, replace with N for Non-Lighted and with D for LED-Lighted Push-Button

Ordering Code (23 Digits) : SE-22D-PB--FA-

SE-22D-PB	<input type="checkbox"/> <input type="checkbox"/>	-	<input type="checkbox"/> <input type="checkbox"/>	-	FA <input type="checkbox"/>	-	<input type="checkbox"/>	-	<input type="checkbox"/> <input type="checkbox"/>
22D Series PB Switch	Contact-Block		Non-Lighted or Lighted & Switch Action		Actuator Style		Button Colour		Lamp Voltage Rating
	11=1NO+1NC 20=2NO 02=2NC		NM=Non-Lighted Momentary NT=Non-Lighted Maintained DM=LED Lighted Momentary DT=LED Lighted Maintained		FA1 (Black without Metallic-Bezel) FA2 (Black with Matt Metallic-Bezel)		R=Red G=Green Y=Yellow B=Blue W=White K=Black		00=No Lamp 26=110V AC/DC 21=6V AC/DC 27=127V AC/DC 22=12V AC/DC 28=220V DC only 23=24V AC/DC 31=220V AC only 24=36V AC/DC 32=380V AC only 25=48V AC/DC

Technical Parameters

Environmental Temperature	-25°C ~ +55°C	Electrical Rating	
Contact Resistance	≤ 50mΩ	AC-15	220V/6A 380V/4A 660V/2A
Withstand Voltage	2500VAC 50Hz 1min	DC-13	24V/6A 48V/3A 110V/1A 220V/0.5A 440V/0.25A
Insulation Voltage Rating U _i	660VAC		
Protection Level	IP65		
Mechanical Life	3x10 ⁶ Times		

Remarks: Due to continuous development, all specifications are subject to change without prior notice. Please confirm all details at time of ordering. 4-11-2009



SOLITRONICS ENGINEERING LTD.

2202, Perfect Ind. Bldg., 31 Tai Yau St., San Po Kong, Kowloon, Hong Kong S.A.R., China

TEL : (852) 2730-8145

FAX : (852) 2730-3245

E-mail : info@solitronics.com

Ø22mm Dual-Button Push-Button Switch (LED-Lighted or Non-Lighted with Metal Mounting Base)

Date:
4th November 2009

Group:

SE-22D-PB-FC

Part Number:

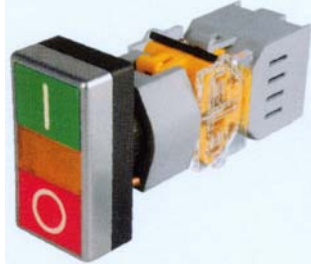
SE-22D-PB - - FC-RG-

Data Sheet:

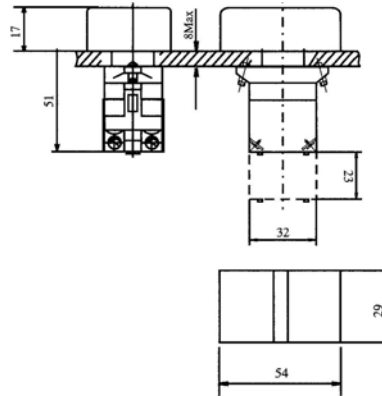
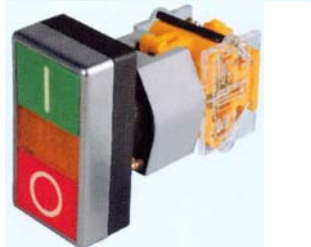
SE-22D-PB-FC

IEC-60947 IP65

LED-Lighted



Non-Lighted



Form-C

(Available only with Matt-metallic Bezel)

Outline Dimension for
Non-Lighted Type

Product	Push-Button Actuator Style	Switching Action	Contact Block	Ordering Code	Push-Button Color	LED Lamp Voltage
Dual Status Push-Button		Momentary	1NC+1NO	SE-22D-PB11-DM-FC	RG = Dual-Button Red (O) + Green (I) Center Yellow Lens LED-Lighted	00=No Lamp 21=6V AC/DC 22=12V AC/DC 23=24V AC/DC 24=36V AC/DC 25=48V AC/DC 26=110V AC/DC 27=127V AC/DC 28=220V DC only 31=220V AC only 32=380V AC only
			2NC	SE-22D-PB20-DM-FC		
			2NO	SE-22D-PB02-DM-FC		
Dual Status Push-Button		Momentary	1NC+1NO	SE-22D-PB11-NM-FC	RG = Dual-Button Red (O) + Green (I) Non-Lighted Lens	
			2NC	SE-22D-PB20-NM-FC		
			2NO	SE-22D-PB02-NM-FC		

Ordering Code (24 Digits): SE-22D-PB - - FC-RG-

SE-22D-PB	<input type="checkbox"/> <input type="checkbox"/>	-	<input type="checkbox"/> <input type="checkbox"/>	-	FC	-	RG	-	<input type="checkbox"/> <input type="checkbox"/>
SE-22D-Dual-Status	Contact-Block		Non-Lighted or Lighted & Switch Action		Actuator		Dual Button-Color		LED-Lighted type Lamp Voltage Code
	11=1NO+1NC 20=2NO 02=2NC		NM=Non-Lighted Momentary DM=LED-Lighted Momentary Note: Maintained Type not available		FC (Black with Metallic-Bezel)		RG = Dual Button Red (O)+Green(I) (LED-Lighted-type with center Amber illumination only) (Non-Lighted-type with center Amber Non-Lighted Lens)		00=No Lamp 21=6V AC/DC 22=12V AC/DC 23=24V AC/DC 24=36V AC/DC 25=48V AC/DC 26=110V AC/DC 27=127V AC/DC 28=220V DC only 31=220V AC only 32=380V AC only

Technical Parameters

Environmental Temperature	-25°C ~ +55°C	Electrical Rating	
Contact Resistance	≤ 50mΩ	AC-15	220V/6A 380V/4A 660V/2A
Withstand Voltage	2500VAC 50Hz 1min	DC-13	24V/6A 48V/3A 110V/1A 220V/0.5A 440V/0.25A
Insulation Voltage Rating U _i	660VAC		
Protection Level	IP65		
Mechanical Life	3x10 ⁶ Times		

Remarks: Due to continuous development, all specifications are subject to change without prior notice. Please confirm all details at time of ordering. 04-11-2009



SOLITRONICS ENGINEERING LTD.

2202, Perfect Ind. Bldg., 31 Tai Yau St., San Po Kong, Kowloon, Hong Kong S.A.R., China

TEL : (852) 2730-8145

FAX : (852) 2730-3245

E-mail : info@solitronics.com

Ø22mm LED Mushroom-Head Push-Button Switch (LED-Lighted or Non-Lighted Mushroom-Head Switch with Metal Mounting Base)

Date:
4th November 2009

Group:

SE-22D-PB-MR

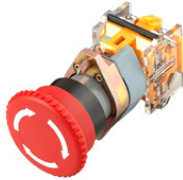
Part Number:

SE-22D-MR - - - - -

Data Sheet:

SE-22D-PB-MR

IEC-60947 GB-14048.5 IP40



Emergency-Stop
Mushroom Head Switch
Form-F11& F21



Non-Lighted
Mushroom-Head Switch
Form-F12 & F22




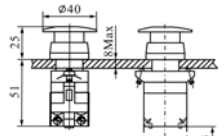



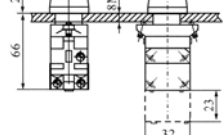

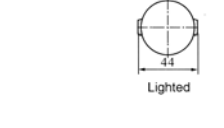
LED-Lighted
Mushroom-Head Switch
Form-F13 & F23



Key-Lock
Mushroom-Head Switch
Form-F14 & F24

F21, F22, F23 & F24
With Metallic Bezel Ring

F11, F12, F13 & F14
Without Metallic Bezel
Ring

Product	Push-Button Actuator Style	Switching Action	Contact Block	Ordering Code	Color	Lamp Voltage	Diameter (mm)	Outline Dimensions
Emergency-Stop Push-button (Non-Lighted)	 Form-F11 & F21	Push-to Maintain Turn-Clockwise to Release	1NO+1NC	SE-22D-MR11-NT-F11/F21	R=Red G=Green	00=No Lamp Emergency-Stop with three white-arrows on Mushroom-Head;	Ø40	
			2NO	SE-22D-MR20-NT-F11/F21				
			2NC	SE-22D-MR02-NT-F11/F21				
Mushroom-Head Push-button (Non-Lighted)	 Form-F12 & F22	Momentary	1NO+1NC	SE-22D-MR11-NM-F12/F22	R=Red G=Green Y=Yellow K=Black	All other types are without marking	Ø40	
			2NO	SE-22D-MR20-NM-F12/F22				
			2NC	SE-22D-MR02-NM-F12/F22				
		Push-to-Maintain Turn-Clockwise to Release	1NO+1NC	SE-22D-MR11-NT-F12/F22				
			2NO	SE-22D-MR20-NT-F12/F22				
			2NC	SE-22D-MR02-NT-F12/F22				
LED-Lighted Mushroom-Head Push-button	 Form-F13 & F23	Momentary	1NO+1NC	SE-22D-MR11-DM-F13/F23	R=Red G=Green Y=Yellow W=White	22=12V AC/DC 23=24V AC/DC 24=36V AC/DC 25=48V AC/DC 26=110V AC/DC 27=127V AC/DC 28=220V DC 31=220V AC 32=380V AC	Ø40	
			2NO	SE-22D-MR20-DM-F13/F23				
			2NC	SE-22D-MR02-DM-F13/F23				
		Push-to-Maintain Turn-Clockwise To-Release	1NO+1NC	SE-22D-MR11-DT-F13/F23				
			2NO	SE-22D-MR20-DT-F13/F23				
			2NC	SE-22D-MR02-DT-F13/F23				
Key-Lock Mushroom-Head Push-button (Non-Lighted)	 Form-F14 & F24	Push-to-Maintain Turn-Clockwise to Release	1NO+1NC	SE-22D-MR11-NT-F14/F24	R=Red	00=No Lamp	Ø40	
			2NO	SE-22D-MR20-NT-F14/F24				
			2NC	SE-22D-MR02-NT-F14/F24				

Ordering Code (26 Digits): SE-22D-MR - - - - - -

SE-22D-MR	<input type="checkbox"/> <input type="checkbox"/>	-	<input type="checkbox"/> <input type="checkbox"/>	-	F <input type="checkbox"/> <input type="checkbox"/>	-	<input type="checkbox"/>	-	<input type="checkbox"/> <input type="checkbox"/>	-	<input type="checkbox"/> <input type="checkbox"/>
SE-22D Mushroom Head	Contact-Block		Non-Lighted or Lighted & Switch Action		Mushroom Button-Style & Switch Type		Button Colour		LED Lighted-type Voltage Code		Mushroom-Head Diameter
For actuator without Matt Metallic-Bezel specify Forms:- F11, F12, F13 & F14	11=1NO+1NC 20=2NO 02=2NC		NM= Non-Lighted Momentary NT= Non-Lighted Maintained DM= LED Lighted Momentary DT= LED Lighted Maintained		F11 = Emergency-Stop F12 = Non-Lighted PB F13 = LED-Lighted PB F14 = Key-lock Switch F21 = Emergency-Stop (with Matt Metallic-Bezel) F22 = Non-Lighted PB (with Matt Metallic-Bezel) F23 = LED-Lighted PB (with Matt Metallic-Bezel) F24 = Key-lock Switch (with Matt Metallic-Bezel)		R=Red G=Green Y=Yellow B=Blue W=White K=Black		00=No Lamp 21=6V AC/DC 22=12V AC/DC 23=24V AC/DC 24=36V AC/DC 25=48V AC/DC 26=110V AC/DC 27=127V AC/DC 28=220V DC only 31=220V AC only 32=380V AC only		40= Ø40 diameter Mushroom-Head 60= Ø60 diameter Mushroom-Head
For actuator with Matt Metallic-Bezel specify Forms:- F21, F22, F23 & F24			(Emergency Switch Type:- Push-to-Maintain & Turn-Clockwise to Release)								

Technical Parameters

Environmental Temperature	-25°C ~ +55°C	Protection Level	IP65	Voltage	AC-15	DC-13
Contact Resistance	≤ 50mΩ	Mechanical Life	50x10 ³ Times	24V		6A
Withstand Voltage	2500VAC 50Hz 1min			48V		3A
Insulation Voltage Rating U _i	660VAC			110V		1A
				220V	6A	0.5A
				380V	4A	
				660V	2A	

Note: Due to continuous development, all specifications are subject to change without prior notice. Please confirm all details at time of ordering

4-11-2009



SOLITRONICS ENGINEERING LTD.

2202, Perfect Ind. Bldg., 31 Tai Yau St., San Po Kong, Kowloon, Hong Kong S.A.R., China

TEL : (852) 2730-8145

FAX : (852) 2730-3245

E-mail : info@solitronics.com

Ø22mm Key-Lock Selector Switch (Non-Lighted Key-lock Selector Switch with Metal Mounting Base)

Date:
4th November 2009

Group:

SE-22D-KS

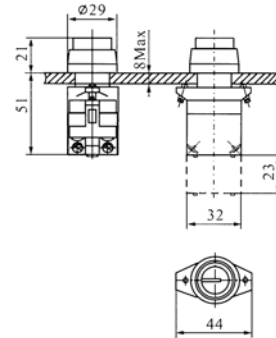
Part Number:

SE-22D-KS - - F1 - M -

Data Sheet:


SE-22D-KS

IEC-60947 GB-14048.5 IP40



Key-Lock
Selector Switch
Form-1

Outline Dimensions

Product	Actuator Style	Switching Action	Selector Position	Contact Block	Ordering Code	Color	Key Removable Position
22mmØ Key-Lock Selector	 Form-1 (Key-Lock)	L R ∨	2-Positons	1NO+1NC	SE-22D-KS11-2-F1	M = Metallic colour	L=Left C=Center R=Right A=All (Each switch supplied with two keys)
			2-Positons	2NO	SE-22D-KS20-2-F1		
		L C R ∨	2-Positons	2NC	SE-22D-KS02-2-F1		
			3-Positons	1NO+1NC	SE-22D-KS11-3-F1		
			3-Positons	2NO	SE-22D-KS20-3-F1		
		3-Positons	2NC	SE-22D-KS02-3-F1			

Ordering Code (20 Digits): SE-22D-KS - - F1 - M -

SE-22D-KS	<input type="checkbox"/> <input type="checkbox"/>	-	<input type="checkbox"/>	-	F1	-	M	-	<input type="checkbox"/>	
SE-22D Key-Switch	Contact -Block Type		No. of Selector Positions & Switch Action		Actuator Form		Actuator Colour		Key-Removal Position	No. of Keys
	11=1NO+1NC 20=2NO 02=2NC		2=2-Position Maintained 3=3-Position Maintained		F1		M=Metallic-color		L=Left C=Center R=Right A=All	Each switch supplied with two keys

Technical Parameters

Environmental Temperature	-25°C ~ +55°C	Protection Level	IP65	Voltage	AC-15	DC-13
Contact Resistance	≤ 50mΩ	Mechanical Life	50x10 ³ Times	24V		6A
Withstand Voltage	2500VAC 50Hz 1min			48V		3A
Insulation Voltage Rating U _i	660VAC			110V		1A
				220V	6A	0.5A
				380V	4A	
				660V	2A	

Remarks: Due to continuous development, all specifications are subject to change without prior notice. Please confirm all details at time of ordering. 4-11-2009



SOLITRONICS ENGINEERING LTD.

2202, Perfect Ind. Bldg., 31 Tai Yau St., San Po Kong, Kowloon, Hong Kong S.A.R., China

TEL : (852) 2730-8145

FAX : (852) 2730-3245

E-mail : info@solitronics.com

Ø22mm Flush Push-Button Switch (LED-Lighted or Non-Lighted Switch with Metal Mounting Base)

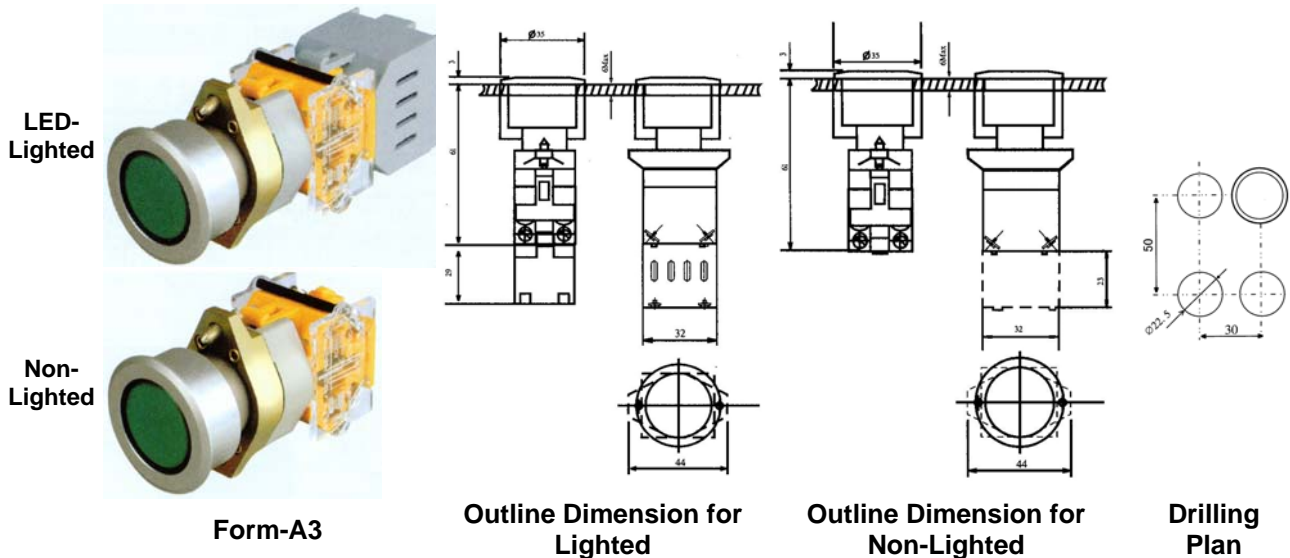
Date:
4th November 2009



Group:
SE-22D-PB-FA3

Part Number:
SE-22D-PB - - **FA3** -

Data Sheet:
SE-22D-PB-FA3

IEC-60947 IP65



Product	Push-Button Actuator Style	Switching Action	Contact Block	Ordering Code	Lens-Color	LED Lamp Voltage
Round Push-button	 LED-Lighted Form-A3	Momentary	1NO+1NC	SE-22D-PB11-DM-FA3	<u>Non-Lighted</u> R=Red G=Green Y=Yellow B=Blue W=White K=Black	00=No Lamp 21=6V AC/DC 22=12V AC/DC 23=24V AC/DC 24=36V AC/DC 25=48V AC/DC 26=110V AC/DC 27=127V AC/DC 28=220V DC only 31=220V AC only 32=380V AC only
			2NO	SE-22D-PB20-DM-FA3		
			2NC	SE-22D-PB02-DM-FA3		
		Maintained	1NO+1NC	SE-22D-PB11-DT-FA3		
			2NO	SE-22D-PB20-DT-FA3		
			2NC	SE-22D-PB02-DT-FA3		
Round Push-button	 Non-Lighted Form-A3	Momentary	1NO+1NC	SE-22D-PB11-NM-FA3	<u>LED-Lighted</u> R=Red G=Green Y=Yellow B=Blue W=White	
			2NO	SE-22D-PB20-NM-FA3		
			2NC	SE-22D-PB02-NM-FA3		
		Maintained	1NO+1NC	SE-22D-PB11-NT-FA3		
			2NO	SE-22D-PB20-NT-FA3		
			2NC	SE-22D-PB02-NT-FA3		

Ordering Code (23 Digits): SE-22D-PB - - -

SE-22D-PB	<input type="checkbox"/> <input type="checkbox"/>	-	<input type="checkbox"/> <input type="checkbox"/>	-	FA3	-	<input type="checkbox"/>	-	<input type="checkbox"/> <input type="checkbox"/>
SE-22D PB SW	Contact-Block		Non-Lighted or Lighted & Switch Action		Actuator Style		Button Color		LED Lighted type Lamp Voltage Code
	11=1NO+1NC 20=2NO 02=2NC		NM=Non-Lighted Momentary NT=Non-Lighted Maintained DM=LED-Lighted Momentary DT=LED-Lighted Maintained		FA3 (Flat Bevelled-Edge Matt Solid Aluminum)		R=Red G=Green Y=Yellow B=Blue W=White K=Black		00=No Lamp 21=6V AC/DC 22=12V AC/DC 23=24V AC/DC 24=36V AC/DC 25=48V AC/DC 26=110V AC/DC 27=127V AC/DC 28=220V DC only 31=220V AC only 32=380V AC only

Technical Parameters

Environmental Temperature	-25°C ~ +55°C	Electrical Rating	
Contact Resistance	≤ 50mΩ	AC-15	220V/6A 380V/4A 660V/2A
Withstand Voltage	2500VAC 50Hz 1min	DC-13	24V/6A 48V/3A 110V/1A 220V/0.5A 440V/0.25A
Insulation Voltage Rating U _i	660VAC		
Protection Level	IP65		
Mechanical Life	3x10 ⁶ Times		

Remarks: Due to continuous development, all specifications are subject to change without prior notice. Please confirm all details at time of ordering. 4-11-2009



SOLITRONICS ENGINEERING LTD.

2202, Perfect Ind. Bldg., 31 Tai Yau St., San Po Kong, Kowloon, Hong Kong S.A.R., China

TEL : (852) 2730-8145

FAX : (852) 2730-3245

E-mail : info@solitronics.com

22mm Square Push-Button Switch (LED-Lighted or Non-Lighted Switch with Metal Mounting Base)

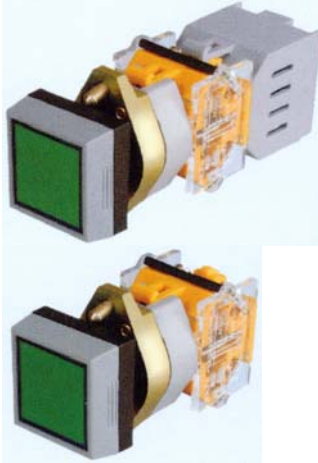
Date:
4th November 2009

Group:
SE-22D-PB-FB-1

Part Number:
SE-22D-PB ---FB1-

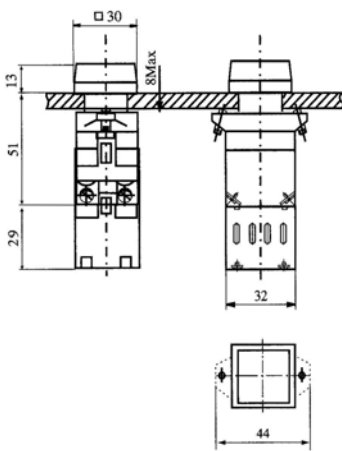
Data Sheet:
SE-22D-PB-FB1

IEC-60947 IP65

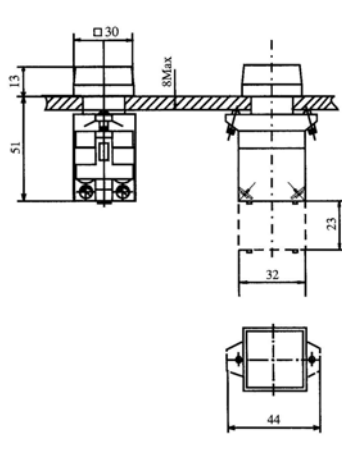


LED-Lighted

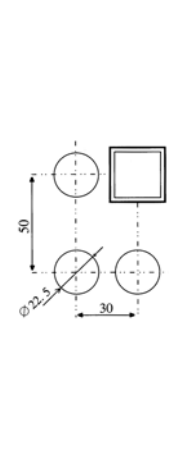
Form-B1




Outline Dimension
for LED-Lighted Type

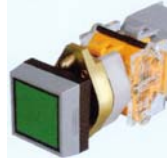



Outline Dimension
for Non-Lighted Type



Drilling Plan



Product	Push-Button Actuator Style	Switching Action	Contact Block	Ordering Code	Lens-Color	LED Lamp Voltage		
Square Push-button	 LED-Lighted Form-B1	Momentary	1NO+1NC	SE-22D-PB11-DM-FB1	<u>Non-Lighted</u> R=Red G=Green Y=Yellow B=Blue W=White K=Black	00=No Lamp 21=6V AC/DC 22=12V AC/DC 23=24V AC/DC 24=36V AC/DC 25=48V AC/DC		
			2NO	SE-22D-PB20-DM-FB1				
			2NC	SE-22D-PB02-DM-FB1				
		Maintained	1NO+1NC	SE-22D-PB11-DT-FB1			<u>Lighted</u> R=Red G=Green Y=Yellow B=Blue W=White	26=110V AC/DC 27=127V AC/DC 28=220V DC only 31=220V AC only 32=380V AC only
			2NO	SE-22D-PB20-DT-FB1				
			2NC	SE-22D-PB02-DT-FB1				
Square Push-button	 Non-Lighted Form-B1	Momentary	1NO+1NC	SE-22D-PB11-NM-FB1	<u>Lighted</u> R=Red G=Green Y=Yellow B=Blue W=White	26=110V AC/DC 27=127V AC/DC 28=220V DC only 31=220V AC only 32=380V AC only		
			2NO	SE-22D-PB20-NM-FB1				
			2NC	SE-22D-PB02-NM-FB1				
		Maintained	1NO+1NC	SE-22D-PB11-NT-FB1			<u>Lighted</u> R=Red G=Green Y=Yellow B=Blue W=White	26=110V AC/DC 27=127V AC/DC 28=220V DC only 31=220V AC only 32=380V AC only
			2NO	SE-22D-PB20-NT-FB1				
			2NC	SE-22D-PB02-NT-FB1				

Ordering Code (23 Digits): **SE-22D-PB ---FB1-**

SE-22D-PB	<input type="checkbox"/> <input type="checkbox"/>	-	<input type="checkbox"/> <input type="checkbox"/>	-	FB1	-	<input type="checkbox"/>	-	<input type="checkbox"/> <input type="checkbox"/>
SE-22D PB SW	Contact-Block		Non-Lighted or Lighted & Switch Action		Actuator		Button Colour		LED Lighted type Lamp voltage Code
	11=1NO+1NC 20=2NO 02=2NC		NM=Non-Lighted Momentary NT=Non-Lighted Maintained DM=LED Lighted Momentary DT=LED Lighted Maintained		FB1		R=Red G=Green Y=Yellow B=Blue W=White K=Black		00=No Lamp 21=6V AC/DC 22=12V AC/DC 23=24V AC/DC 24=36V AC/DC 25=48V AC/DC
									26=110V AC/DC 27=127V AC/DC 28=220V DC only 31=220V AC only 32=380V AC only

Technical Parameters

Environmental Temperature	-25°C ~ +55°C	Electrical Rating	
Contact Resistance	≤ 50mΩ	AC-15	220V/6A 380V/4A 660V/2A
Withstand Voltage	2500VAC 50Hz 1min	DC-13	24V/6A 48V/3A 110V/1A 220V/0.5A 440V/0.25A
Insulation Voltage Rating U _i	660VAC		
Protection Level	IP65		
Mechanical Life	3x10 ⁶ Times		

Remarks: Due to continuous development, all specifications are subject to change without prior notice. Please confirm all details at time of ordering. 4-11-2009