



SOLITRONICS ENGINEERING LTD.

2202, Perfect Ind. Bldg., 31 Tai Yau St., San Po Kong, Kowloon, Hong Kong S.A.R., China

TEL : (852) 2730-8145

FAX : (852) 2730-3245

E-mail : info@solitronics.com

Ø22mm Flush Push-Button Switch (LED-Lighted or Non-Lighted Switch with Metal Mounting Base)

Date:

4th November 2009

Group:

SE-22D-PB-FA3

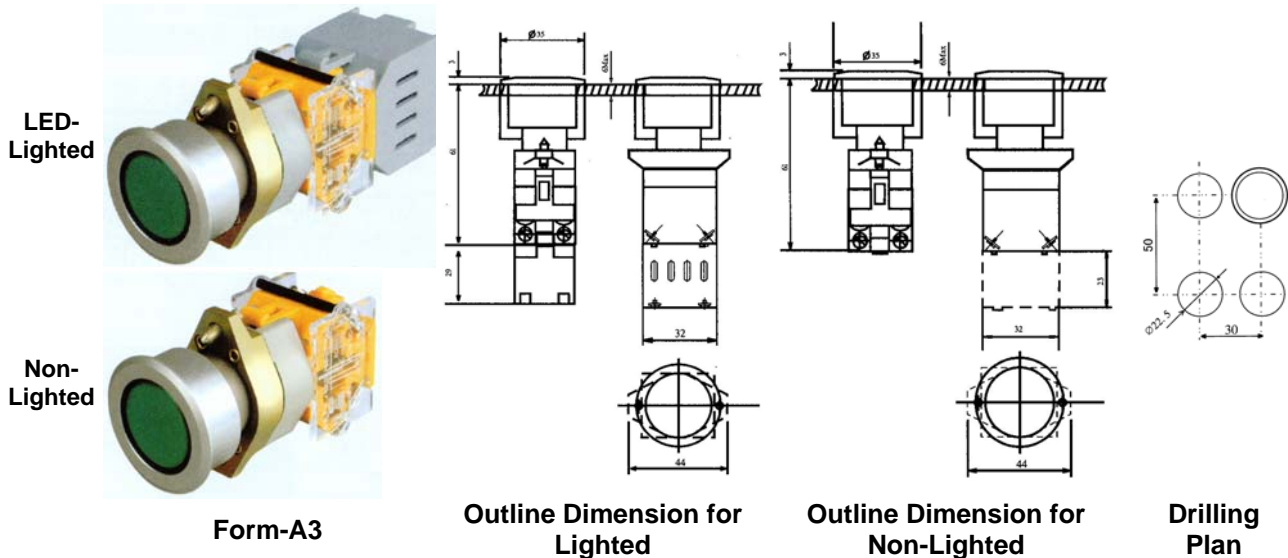
Part Number:

SE-22D-PB - - FA3 -

Data Sheet:

SE-22D-PB-FA3

IEC-60947 IP65





Form-A3

Outline Dimension for Lighted

Outline Dimension for Non-Lighted

Drilling Plan

Product	Push-Button Actuator Style	Switching Action	Contact Block	Ordering Code	Lens-Color	LED Lamp Voltage
Round Push-button		Momentary	1NO+1NC	SE-22D-PB11-DM-FA3	Non-Lighted R=Red G=Green Y=Yellow B=Blue W=White K=Black	00=No Lamp 21=6V AC/DC 22=12V AC/DC 23=24V AC/DC 24=36V AC/DC 25=48V AC/DC 26=110V AC/DC 27=127V AC/DC 28=220V DC only 31=220V AC only 32=380V AC only
			2NO	SE-22D-PB20-DM-FA3		
			2NC	SE-22D-PB02-DM-FA3		
		Maintained	1NO+1NC	SE-22D-PB11-DT-FA3		
			2NO	SE-22D-PB20-DT-FA3		
			2NC	SE-22D-PB02-DT-FA3		
Round Push-button		Momentary	1NO+1NC	SE-22D-PB11-NM-FA3	LED-Lighted R=Red G=Green Y=Yellow B=Blue W=White	
			2NO	SE-22D-PB20-NM-FA3		
			2NC	SE-22D-PB02-NM-FA3		
		Maintained	1NO+1NC	SE-22D-PB11-NT-FA3		
			2NO	SE-22D-PB20-NT-FA3		
			2NC	SE-22D-PB02-NT-FA3		

Ordering Code (23 Digits): SE-22D-PB - - FA3 -

SE-22D-PB	<input type="checkbox"/> <input type="checkbox"/>	-	<input type="checkbox"/> <input type="checkbox"/>	-	FA3	-	<input type="checkbox"/>	-	<input type="checkbox"/> <input type="checkbox"/>
SE-22D PB SW	Contact-Block		Non-Lighted or Lighted & Switch Action		Actuator Style		Button Color		LED Lighted type Lamp Voltage Code
	11=1NO+1NC 20=2NO 02=2NC		NM=Non-Lighted Momentary NT=Non-Lighted Maintained DM=LED-Lighted Momentary DT=LED-Lighted Maintained		FA3 (Flat Bevelled-Edge Matt Solid Aluminum)		R=Red G=Green Y=Yellow B=Blue W=White K=Black		00=No Lamp 21=6V AC/DC 22=12V AC/DC 23=24V AC/DC 24=36V AC/DC 25=48V AC/DC 26=110V AC/DC 27=127V AC/DC 28=220V DC only 31=220V AC only 32=380V AC only

Technical Parameters

Environmental Temperature	-25°C ~ +55°C	Electrical Rating	
Contact Resistance	≤ 50mΩ	AC-15	220V/6A 380V/4A 660V/2A
Withstand Voltage	2500VAC 50Hz 1min	DC-13	24V/6A 48V/3A 110V/1A 220V/0.5A 440V/0.25A
Insulation Voltage Rating U _i	660VAC		
Protection Level	IP65		
Mechanical Life	3x10 ⁶ Times		

Remarks: Due to continuous development, all specifications are subject to change without prior notice. Please confirm all details at time of ordering. 4-11-2009