



SOLITRONICS ENGINEERING LTD.

TEL:(852)-2730-8145 FAX:(852)-2730-3245 E-mail: info@solitronics.com

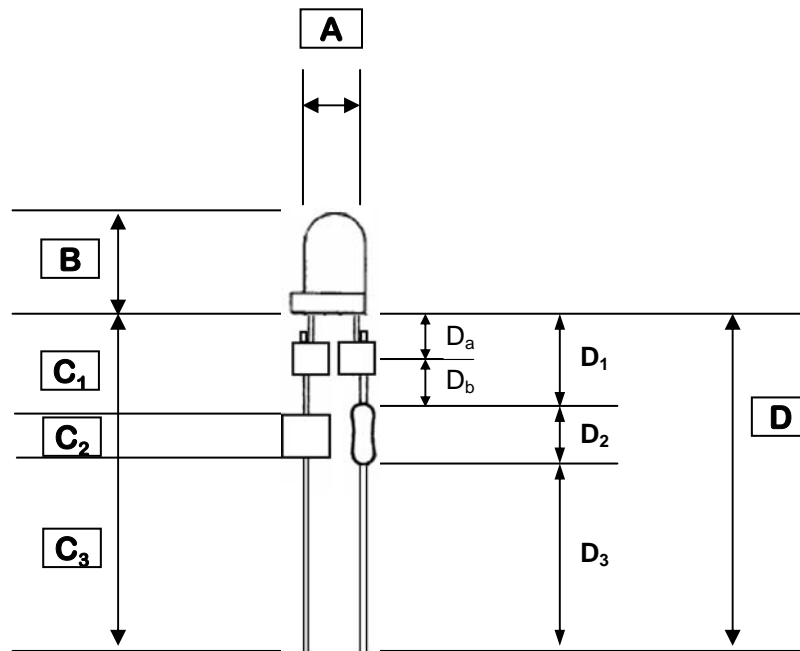
LED-RESISTOR-DIODE ASSEMBLY

Date:

Customer Drawing No. or P/N:

SEL Ref. No.:

LRDA-FORM-001



LED lamp Type.:		Resistor:	
Wire Size: AWG#		Wire Type:	
Wire Colour:		Remarks	

‡ Please delete whichever inapplicable.

	A	B	C ₁	C _a	C _b	C ₂	C ₃	D ₁	D _a	D _b	D ₂	D ₃
Original												