



固體電子有限公司

Solitronics Engineering Ltd.

2202, Perfect Ind. Bldg., 31 Tai Yau St., Kowloon, Hong Kong S.A.R., China

Tel : (852) 2730-8145

Fax : (852) 2730-3245

D-Fax : (852) 3003-3056

E-mail : info@solitronics.com

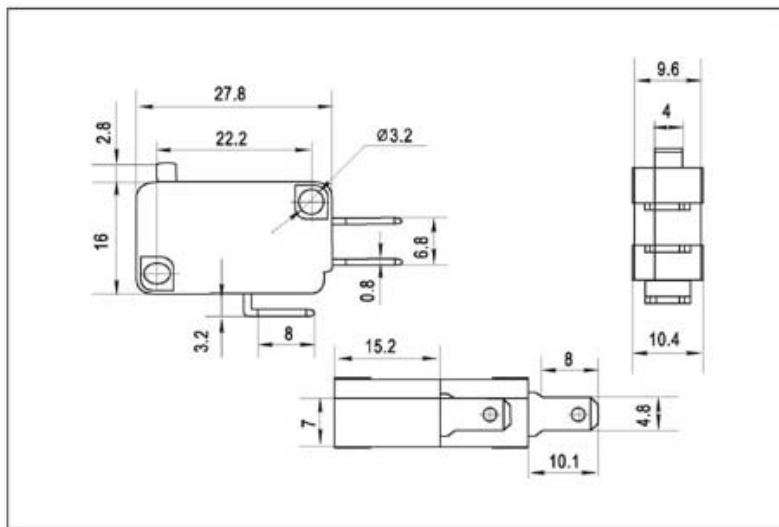
RL6-1 Micro-Switch

RL6 SERIES

Specification:

16 (4) A 250V T125 μ 1E4

16A 125V/250VAC T105



RL6-1-E-BK-P12-0-N
ON-(OFF) 2P



RL6-1-D-BK-P8-1-N
(ON)-OFF 2P



RL6-1-F-BK-P8-4-N
(ON)-ON

ORDERING CODE

RL6-1-D-BK-P8-0-K

Function	
D	(ON)-OFF 2P
E	ON-(OFF) 2P
F	(ON)-ON 3P

Color Cap/Housing	
BK	Black
WT	White
GE	Grey

Terminal	
(P4)	
(P8)	
(P12)	

Lever Type	
0	Not Applicable
1	
2	
3	
4	
5	
6	

Operating Force	
K	60 \pm 15 gf
L	100 \pm 20 gf
M	150 \pm 30 gf
N	250 \pm 40 gf
X	300 \pm 50 gf



固體電子有限公司

Solitronics Engineering Ltd.

2202, Perfect Ind. Bldg., 31 Tai Yau St., Kowloon, Hong Kong S.A.R., China

Tel : (852) 2730-8145

Fax : (852) 2730-3245

D-Fax : (852) 3003-3056

E-mail : info@solitronics.com

RL6-2 Micro-Switch

RL6 SERIES

Specification:

(G) : 6A 125/250VAC

6A 250VAC T85

(H) : 10A 125VAC

10A 250VAC T85



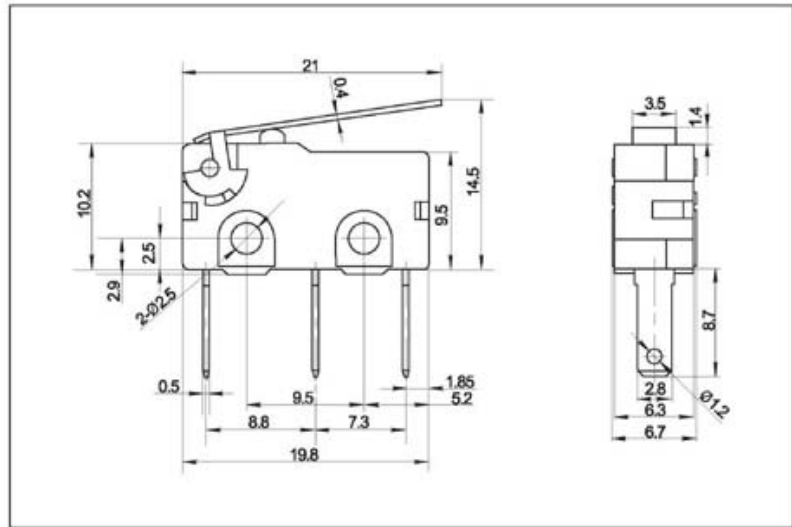
RL6-2-G-E-BK-P31-1
ON-(OFF) 2P



RL6-2-G-D-BK-P31-0
(ON)-OFF 2P



RL6-2-G-F-BK-P41-0
(ON)-ON 3P



ORDERING CODE

RL6-2 - G - D - BK - P31 - 0 - K

Rating	Function	Color Cap/Housing	Terminal	Lever Type	Operating Force
H 10A 125VAC 10A 250VAC	D (ON)-OFF 2P	BK Black	 (P31)	0 Not Applicable	K 60±15 gf
G 6A 125/250VAC 6A 250VAC	E ON-(OFF) 2P	WT White	 (P41)	1 2 ...	M 150±30 gf