



SOLITRONICS ENGINEERING LTD.

TEL: (852)-2730-8145

FAX: (852)-2730-3245

E-mail: info@solitronics.com

SUB-MINIATURE LAMP SPECIFICATIONS

Date: 1ST February 2001

T-3/4 (T-2.4Ømm) & T-7/8 (T-2.8Ømm)

Data Sheet No.

SEL-SS-1000

Wire Terminal	Bi-pin (1.27mm)	Sub-Midget Flanged (USA)	Sub-Midget Flanged (EU) MM3s/6	Wire Terminal	Sub-Midget Flanged (EU) SM3s/6
<p>T-3/4 Fig. A</p>	<p>T-3/4 Fig. B</p>	<p>T-3/4 Fig. C</p>	<p>T-3/4 Fig. D</p>	<p>T-7/8 Fig. E</p>	<p>T-7/8 Fig. F</p>

Note: All dimensions in mm.

	Volts (V)	AMPS (mA)	MSCP	Avg. Life (hrs.)	Filament Shape	T-3/4 Fig. A WT	T-3/4 Fig. B Bi-pin	T-3/4 Fig. C SMF	T-3/4 Fig. D MM3s/6	T-7/8 Fig. E WT	T-7/8 Fig. F SMF3s6
1	1.15	90	0.003	5,000	C-2R	8712	7110	7120			
2	1.35	60	0.006	500	C-2R	3629					
3	1.50	90	0.003	5,000	C-2R	7100	7810	3810			
4	2.0	50	0.030	1,000	C-2R						
5	2.5	110	0.010	10,000	C-2R	8534	7111	7121			
6	4.5	21	0.017	5,000	C-2R	30					
7	4.5	22	0.018	5,000	C-2R	3102					
8	5.0	15	0.020	1,000	C-2R	8537	7538	8538		2709	2710
9	5.0	20	0.015	7,000	C-2R						
10	5.0	21	0.030	10,000	C-2R	2	7112	7122			
11	5.0	30	0.030	16,000	C-2R	OL-2426	OL-2427				
12	5.0	40	0.025	50,000	C-2R	OL-2415	OL-2416				
13	5.0	60	0.030	60,000	C-2R	6803	7113	8587		2700	2702
14	5.0	60	0.034	50,000	C-2R						
15	5.0	60	0.050	25,000	C-2R	6833	7114	8913		2703	2704
16	5.0	60	0.150	3,000	C-2R	6153	7115	6183		2725	2726
17	5.0	75	0.090	25,000	C-2R	7133	7116	8828		2705	2706
18	5.0	80	0.150	15,000	C-2R	8666	7117	8383			
19	5.0	115	0.150	40,000	C-2R	7153	7118	8270		2707	2708
20	5.0	115	0.200	5,000	C-2R	7102	7119	7123			
21	6.0	50	0.030	80,000	C-2R						
22	6.0	60	0.050	80,000	C-2R						
23	8.0	50	0.060	40,000	C-2V						
24	* 9.0	30	0.050	8,000	C-2V						
25	* 10.0	15	0.020	60,000	C-2V						
26	* 10.0	30	0.050	3,000	CC-2V						
27	* 10.0	50	0.080	12,000	C-2V						
28	* 12.0	30	0.030	16,000	C-2F						
29	* 12.0	50	0.070	16,000	C-2V						
30	* 12.0	50	0.120	10,000	C-2F						
31	* 12.0	60	0.150	16,000	C-2F					OL-2733	
32	* 14.0	30	0.018	16,000	C-2F						
33	* 14.0	40	0.130	16,000	C-2F						
34	* 14.0	40	0.150	16,000	C-2F					OL-2711	
35	* 14.0	50	0.125	3,000	CC-2V						
36	* 16.0	20	0.040	8,000	CC-2V						
37	* 16.0	30	0.020	16,000	CC-2V						
38	* 16.0	30	0.035	12,000	CC-2V						
39	* 16.0	30	0.050	10,000	CC-2V						
40	* 16.0	30	0.100	3,000	CC-2V						
41	* 18.0	30	0.120	10,000	CC-2F						
42	* 24.0	15	0.020	10,000	CC-2F						
43	* 24.0	20	0.035	10,000	CC-2F						
44	* 28.0	20	0.050	10,000	CC-2F						
45	* 28.0	20	0.075	7,000	CC-2F						

* Length: 7.0 ± 0.5 mm



SOLITRONICS ENGINEERING LTD.

TEL: (852)-2730-8145

FAX: (852)-2730-3245

E-mail: info@solitronics.com

SUB-MINIATURE LAMP SPECIFICATIONS

Date: 3rd February, 2001

T-1 Micro Glass Bi-Pin lamp bulbs for Micro-Torch Lights

Data Sheet:

SEL-SS-1001A

Note: All dimensions in mm

T-1 Micro Bi-pin Micro-Torch Bulbs								
	Voltage (V)	Current (mA)	MSCP	LCL (mm)	Average Life	Fig. 1 3.0 \varnothing ±0.2mm x 7.4±0.4mm	Fig. 2 3.0 \varnothing ±0.2 x 7.4±0.4mm	Fig. 3 3.0 \varnothing ±0.2mm x7.4±0.4mm
1	1.2	300	0.095±25%	6.2±0.2	12 Hrs	T-1 GBP-1.2V300mA# 753	699	
2	1.25	220	0.05 – 0.07	5.08	20 Hrs			
3	1.5	200		6 – 8	5-10 Hrs			
4	2.3	125	0.13 – 0.17	7.11	20 Hrs	637		
5	2.3	300	0.33 – 0.40	7.11	20 Hrs			
6	2.4	350		6 – 8	5-10 Hrs			
7	2.5	300		6 – 8	5-10 Hrs	T-1 GBP-2.5V350mA#		
8	2.5	350	0.60±25%	6.2±0.2	12 Hrs			

= Recommended type



SOLITRONICS ENGINEERING LTD.

TEL: (852)-2730-8145

FAX: (852)-2730-3245

E-mail: info@solitronics.com

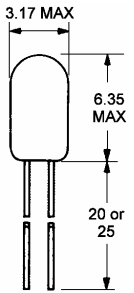
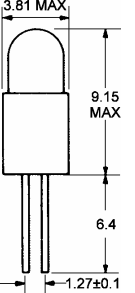
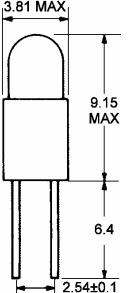
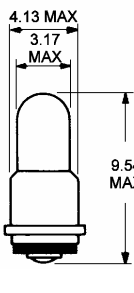
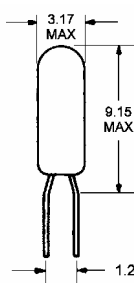
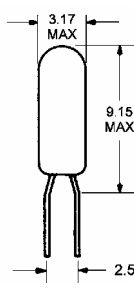
SUB-MINIATURE LAMP SPECIFICATIONS

Date: 3rd February, 2001

T-1 (T-3.17ømm) Sub-miniature Lamps

Data Sheet:

SEL-SS-1001

Wire Terminal Standard	Bi-Pin Standard	Bi-Pin E-Type	Midget Flanged SM4s/4	Glass Bi-Pin Pin Space 1.27	Glass Bi-Pin Pin Space 2.54
 <p>Fig. A</p>	 <p>Fig. B</p>	 <p>Fig. C</p>	 <p>Fig. D</p>	 <p>Fig. E</p>	 <p>Fig. F</p>

* All dimensions in mm.

	Volts (V)	AMPS (A)	MSCP	Avg. Life (Hrs.)	Filament Shape	WT Fig. A	BP(S) Fig. B	BP(E) Fig. C	SM4s/6 Fig. D	BP1.27 Fig. E	BPE2.54 Fig. F
1	1.25	0.012	0.004	1,000	C-6	8797	7252	7252BPE	7244	7252GPE	7252GBPE
2	1.35	0.220	0.020	25,000	C-2R	8910	7253	7253BPE	7245	7253GPE	7253GBPE
3	1.5	0.075	0.030	16,000	C-2R	7203	7255	7255BPE	8102	7255GPE	7255GBPE
4	2.25	0.300	0.450	20	C-2R						
5	2.5	0.015	0.001	10,000	C-2R	8601	7256	7256BPE	7246	7256GPE	7256GBPE
6	2.5	0.100	0.100	10,000	C-2R	8732	7732	7732BPE	7247	7732GPE	7732GBPE
7	2.5	0.320	0.210	5,000	C-2R	8711	7257	7257BPE	7248	7257GPE	7257GBPE
8	3.0	0.008	0.001	16,000	C-2R	8846	7258	7258BPE	7249	7258GPE	7258GBPE
9	3.0	0.013	0.001	16,000	C-2R	2128	7259	7259BPE	679	7259GPE	7259GBPE
10	3.0	0.015	0.020	5,000	C-2R	7205					
11	3.0	0.040	0.030	10,000	C-2R						
12	3.0	0.060	0.030	100,000	C-2R	7207	7260	7260BPE	7231	7260GPE	7260GBPE
13	3.0	0.120	0.150	10,000	C-2R	7208	7261	7261BPE	7232	7261GPE	7261GBPE
14	5.0	0.015	0.002	25,000	C-2V						
15	5.0	0.017	0.005	10,000	C-2R	8602	7262	7262BPE	8605	7262GPE	7262GBPE
16	5.0	0.021	0.034	10,000	C-2R	6022	7022	7022BPE	8022	7022GPE	7022GBPE
17	5.0	0.030	0.030	75,000	C-2R	7210	7263	7263BPE	7234	7263GPE	7263GBPE
18	5.0	0.040	0.025	50,000	C-2R						
19	5.0	0.045	0.040	10,000	C-2R	8729	7264	7264BPE	7250	7264GPE	7264GBPE
20	5.0	0.060	0.030	100,000	C-2R	680	7680	7680BPE	682	7680GPE	7680GBPE
21	5.0	0.060	0.050	100,000	C-2R	683	7683	7683BPE	685	7683GPE	7683GBPE
22	5.0	0.060	0.150	5,000	C-2R	6150	7265	7265BPE	6180	7265GPE	7265GBPE
23	5.0	0.075	0.090	25,000	C-2R	713	7714	7714BPE	714	7714GPE	7714GBPE
24	5.0	0.080	0.160	3,000	C-2R	7211	7266	7266BPE	7235	7266GPE	7266GBPE
25	5.0	0.115	0.150	40,000	C-2R	715	7715	7715BPE	718	7715GPE	7715GBPE
26	5.0	0.115	0.200	5,000	C-2R	7213					
27	5.0	0.125	0.220	5,000	C-2R	7216	7268	7268BPE	7239	7268GPE	7268GBPE
28	6.0	0.040	0.060	16,000	C-2R						
29	6.0	0.060	0.130	3,000	C-2R						
30	6.0	0.080	0.120	10,000	C-2R						
31	8.0	0.060	0.120	10,000	C-2F						
32	9.0	0.030	0.450	1,000	C-2V						
33	10.0	0.027	0.100	10,000	C-2F	7218	8095	8095BPE	7240	8095GPE	8095GBPE
34	12.0	0.030	0.055	16,000	C-2F						
35	12.0	0.030	0.100	10,000	C-2F						
36	12.0	0.050	0.120	5,000	C-2F						
37	12.0	0.060	0.150	16,000	C-2F						
38	12.0	0.060	0.150	16,000	C-2F	7219	8097	8097BPE	32	8097GPE	8097GBPE
39	14.0	0.040	0.120	16,000	C-2F	23					
40	14.0	0.065	0.150	16,000	C-2F	8111	8098	8098BPE	8112	8098GPE	8098GBPE
41	16.0	0.030	0.090	10,000	C-2F						
42	18.0	0.026	0.150	16,000	C-2F	7220	8099	8099BPE	7241	8099GPE	8099GBPE
43	24.0	0.020	0.050	25,000	CC-2F						
44	28.0	0.024	0.150	16,000	CC-2F						
45	28.0	0.040	0.340	10,000	CC-2F	6838	7839	7839BPE	6839	7839GPE	7839GBPE



SOLITRONICS ENGINEERING LTD.

TEL: (852)-2730-8145

FAX: (852)-2730-3245

E-mail: info@solitronics.com

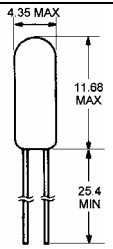
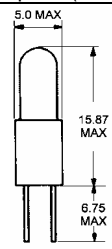
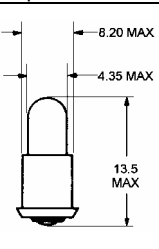
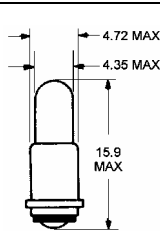
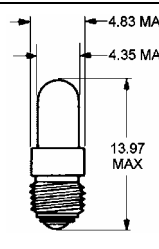
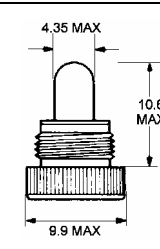
SUB-MINIATURE LAMP SPECIFICATIONS

Date: 3rd February 2001

T-1¼ (T-4.2ømm) Sub-miniature Lamps

Data Sheet:

SEL-SS-1002

Wire Terminal Standard	Bi-Pin Standard Pin Space (2.54)	Midget Flanged European SM5s/8	Midget Flanged American SMF5s/8	Special Screw	Knurled Screw
 <p>Fig. A</p>	 <p>Fig. B</p>	 <p>Fig. C</p>	 <p>Fig. D</p>	 <p>Fig. E</p>	 <p>Fig. F</p>

*All dimensions in mm.

	Volts (V)	AMPS (A)	MSCP	Avg. Life (Hrs.)	Filament Shape	WT Fig. A	BP(S) Fig. B	SM5s/8 Fig. C	SMF5s/8 Fig. D	SS Fig. E	KS Fig. F
1	1.3	0.030	0.006	100	S-2	2135		7302		7303	
2	1.35	0.060	0.006	500	C-2R	8631		8636		8641	
3	1.5	0.075	0.030	1,000	C-2R						
4	2.5	0.100	0.100	1,000	C-2R						
5	2.5	0.320	0.210	5,000	C-2R						
6	2.5	0.400	0.550	30	C-2R	8655		8656		329	
7	3.0	0.190	0.250	350	C-2R	324		8637		325	
8	5.0	0.060	0.030	100,000	C-2R	580		3582		3580	
9	5.0	0.060	0.050	100,000	C-2R	583		3585		3583	
10	5.0	0.060	0.150	5,000	C-2R						
11	5.0	0.075	0.090	40,000	C-2R	4025					
12	5.0	0.115	0.150	40,000	C-2R	515		3518		3515	
13	6.0	0.030	0.035	16,000	C-2R						
14	6.0	0.040	0.055	16,000	C-2R						
15	6.0	0.060	0.130	3,000	C-2R	2114		8541		371	
16	6.0	0.100	0.200	5,000	C-2R						
17	6.0	0.120	0.200	20,000	C-2R						
18	6.0	0.200	0.630	1,000	C-2R	634		8628		8645	
19	6.3	0.200	0.550	5,000	C-2R	8610		8551		8552	
20	8.0	0.060	0.080	10,000	C-2F						
21	9.0	0.040	0.075	10,000	C-2V						
22	9.0	0.060	0.090	10,000	C-2F						
23	10.0	0.014	0.004	50,000	C-2F						
24	10.0	0.070	0.140	10,000	C-2F						
25	12.0	0.040	0.040	25,000	C-2F						
26	12.0	0.040	0.120	10,000	C-2V						
27	12.0	0.050	0.110	16,000	C-2F						
28	12.0	0.060	0.150	16,000	C-2F	4145					
29	12.0	0.080	0.230	20,000	C-2F						
30	14.0	0.040	0.120	16,000	C-2F	4170					
31	14.0	0.065	0.180	20,000	C-2F						
32	14.0	0.080	0.300	50,000	C-2F	4204					
33	14.0	0.080	0.500	1,500	C-2F	8640		8646		8644	
34	14.0	0.100	0.500	10,000	C-2F	4201					
35	16.0	0.030	0.034	25,000	C-2F						
36	18.0	0.026	0.150	16,000	C-2F						
37	24.0	0.040	0.170	15,000	C-2F						
38	24.0	0.050	0.220	10,000	C-2F						
39	28.0	0.020	0.100	7,000	CC-2F						
40	28.0	0.024	0.150	10,000	C-2F						
41	28.0	0.040	0.020	50,000	C-2F						
42	28.0	0.040	0.300	25,000	C-2F	4043					
43	28.0	0.040	0.320	15,000	C-2F	8627		8632		8635	
44	28.0	0.040	0.340	7,000	C-2F						



SOLITRONICS ENGINEERING LTD.

TEL: (852)-2730-8145

FAX: (852)-2730-3245

E-mail: info@solitronics.com

SUB-MINIATURE LAMP SPECIFICATIONS

Date: 3rd February, 2001

T-1¼ & T-1½ Sub-miniature Lamps (UK Type)

Data Sheet:

SEL-SS-1003

Wire Terminal Standard	Bi-Pin Standard Pin Space (2.54)	Wire Terminal Standard	Bi-Pin Standard Pin Space (3.17)	Midget Screw E5/8	
<p>T-1¼</p>	<p>T-1¼</p>	<p>T-1½</p>	<p>T-1½</p>	<p>T-1½</p>	Fig. F
Fig. A	Fig. B	Fig. C	Fig. D	Fig. E	

*Note: All dimensions are in mm

	Volts (V)	AMPS (A)	MSCP	Avg. Life (hrs.)	Filament Shape	T-1¼ WT Fig. A	T-1¼ BP(S) Fig. B	T-1½ WT Fig. C	T-1½ BP(S) Fig. D	T-1½ E5/8 Fig. E	
1	1.5	0.075	0.040	30	S-2			(655WT)		655	
2	1.5	0.110	0.020	1,000	C-2R					663	
3	2.5	0.200	0.220	500	C-2R					CM1769	
4	2.5	0.300	0.200	1,000	C-2R					661	
5	3.0	0.190	0.250	350	C-2R	324BS					
6	4.5	0.060	0.060	2,000	C-2R					670	
7	5.0	0.025	0.024	1,000	C-2R						
8	5.0	0.060	0.050	25,000	C-2R	583BS	1093BP				
9	5.0	0.115	0.150	40,000	C-2R	515BS	CM7583				
10	6.0	0.040	0.030	1,000	C-2V	8661BS					
11	6.0	0.040	0.040	10,000	C-2R			(697WT)		697	
12	6.0	0.055	0.080	10,000	C-2R			(673WT)	673BP	673	
13	6.0	0.060	0.130	3,000	C-2R	2114BS	CM7309				
14	6.0	0.200	0.630	1,000	C-2R	634BS	CM7628			CM1768	
15	6.3	0.200	0.400	10,000	C-2R					CM378	
16	6.3	0.200	0.550	5,000	C-2R		CM7310				
17	6.5	0.150	0.320	2,500	C-2V			(674WT)		674	
18	8.0	0.150	0.280	5,000	C-2V					676	
19	12.0	0.030	0.060	3,000	C-2V		747BP				
20	12.0	0.040	0.120	5,000	C-2F	757BS					
21	12.0	0.050	0.120	5,000	C-2F		1090BP				
22	12.0	0.080	0.360	1,000	C-2V	754BS	754BP				
23	12.0	0.083	0.190	10,000	C-2V			(679WT)	679BP	679	
24	12.0	0.127	0.420	5,000	C-2F			(280WT)		280	
25	14.0	0.037	0.160	5,000	C-2F	766BS		(690WT)	690BP	690	
26	14.0	0.050	0.240	1,000	C-2F			(5682WT)		5682	
27	14.0	0.065	0.160	20,000	C-2F	1153BS				1169	
28	14.0	0.080	0.300	10,000	C-2F	640BS				CM8362	
29	14.0	0.080	0.500	1,000	C-2F	8640BS	CM7646			CM373	
30	18.0	0.026	0.120	2,000	C-2F		1098BP				
31	18.0	0.040	0.150	10,000	C-2F			(684WT)		684	
32	24.0	0.035	0.130	10,000	C-2F	770BS					
33	24.0	0.035	0.150	7,500	C-2F		1091BP				
34	24.0	0.040	0.240	7,000	C-2F			(687WT)		687	
35	28.0	0.024	0.150	2,500	C-2F	768BS	1092BP				
36	28.0	0.040	0.300	7,000	C-2F			(CM399WT)		CM399	
37	28.0	0.040	0.320	1,000	C-2F	8627BS	CM7632			CM335	
38	28.0	0.040	0.340	4,000	C-2F					688	
39	28.0	0.040	0.360	4,000	C-2F			(688WT)	688BP		
40											
41											
42											
43											
44											
45											



SOLITRONICS ENGINEERING LTD.

TEL: (852) 2730-8145

FAX: (852) 2730-3245

E-mail: info@solitronics.com

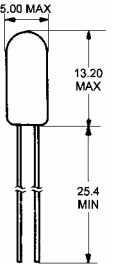
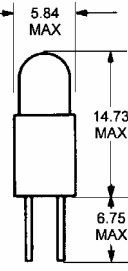
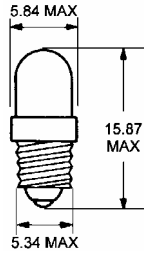
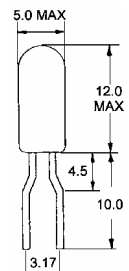
SUB-MINIATURE LAMP SPECIFICATIONS

Date: 3rd February, 2001

T-1½ (T- 4.8ømm) Sub-miniature Lamps

Data Sheet:

SEL-SS-1004

Wire Terminal Standard	Bi-Pin Standard Pin Space (3.17)	Midget Screw E5/8	Glass Bi-Pin Pin Space (3.17)		
				Fig. E	Fig. F

*Note: All dimensions are in mm.

	Volts (V)	AMPS (A)	MSCP	Avg. Life (Hrs.)	Filament Shape	WT Fig. A	BP(S) Fig. B	MS Fig. C	GBP(3.17) Fig. D		
1	1.3	0.030	0.006	100	S-2						
2	1.35	0.060	0.006	500	C-2R						
3	1.5	0.075	0.030	1,000	C-2R						
4	2.5	0.100	0.100	1,000	C-2R						
5	2.5	0.320	0.210	5,000	C-2R						
6	2.5	0.400	0.550	30	C-2R						
7	3.0	0.190	0.250	350	C-2R						
8	5.0	0.060	0.030	100,000	C-2R						
9	5.0	0.060	0.050	100,000	C-2R						
10	5.0	0.060	0.150	5,000	C-2R						
11	5.0	0.075	0.090	40,000	C-2R						
12	5.0	0.115	0.150	40,000	C-2R						
13	6.0	0.030	0.035	16,000	C-2R						
14	6.0	0.040	0.055	16,000	C-2R						
15	6.0	0.060	0.130	3,000	C-2R						
16	6.0	0.100	0.200	5,000	C-2R						
17	6.0	0.120	0.200	20,000	C-2R						
18	6.0	0.200	0.630	1,000	C-2R						
19	6.3	0.200	0.550	5,000	C-2R						
20	8.0	0.060	0.080	10,000	C-2F						
21	9.0	0.040	0.075	10,000	C-2V						
22	9.0	0.060	0.090	10,000	C-2F						
23	10.0	0.014	0.004	50,000	C-2F						
24	10.0	0.070	0.140	10,000	C-2F						
25	12.0	0.040	0.040	25,000	C-2F						
26	12.0	0.040	0.120	10,000	C-2V						
27	12.0	0.050	0.110	16,000	C-2F						
28	12.0	0.060	0.150	16,000	C-2F						
29	12.0	0.080	0.230	20,000	C-2F						
30	14.0	0.040	0.120	16,000	C-2F						
31	14.0	0.065	0.180	20,000	C-2F						
32	14.0	0.080	0.300	50,000	C-2F						
33	14.0	0.080	0.500	1,500	C-2F						
34	14.0	0.100	0.500	10,000	C-2F						
35	16.0	0.030	0.034	25,000	C-2F						
36	18.0	0.026	0.150	16,000	C-2F						
37	24.0	0.040	0.170	15,000	C-2F						
38	24.0	0.050	0.220	10,000	C-2F						
39	28.0	0.020	0.100	7,000	CC-2F						
40	28.0	0.024	0.150	10,000	C-2F						
41	28.0	0.040	0.020	50,000	C-2F						
42	28.0	0.040	0.300	25,000	C-2F						
43	28.0	0.040	0.320	15,000	C-2F						
44	28.0	0.040	0.340	7,000	C-2F						



SOLITRONICS ENGINEERING LTD.

TEL:(852)-2730-8145

FAX:(852)-2730-3245

E-mail: info@solitronics.com

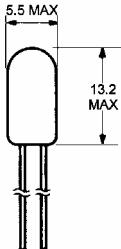
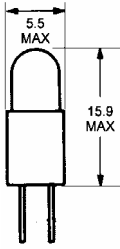
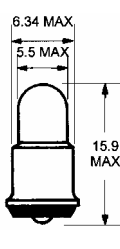
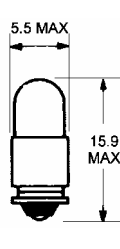
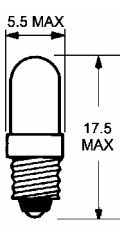
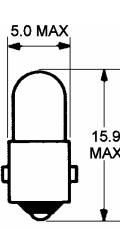
SUB-MINIATURE LAMP SPECIFICATIONS

Date: 3rd February 2001

T-1^{3/4} (T-5.3ømm) Sub-miniature Lamps

Data Sheet:

SEL-SS-1005

Wire Terminal Standard	Bi-Pin Standard	Midget Flanged MF6s/8	Midget Grooved MG5.7s/9	Midget Screw E5/8.5	Midget Bayonet BA5s
					
Fig. A	Fig. B	Fig. C	Fig. D	Fig. E	Fig. F

* All dimensions in mm.

	Volts (V)	AMPS (A)	MSCP	Avg. Life (Hrs.)	Filament Shape	WT Fig. A	BP(S) Fig. B	MF6s/8 Fig. C	MG5.7s/9 Fig. D	E5/8.5 Fig. E	BA5s Fig. F
1	2.5	0.200	0.220	500	C-2R	1783		368		1767	
2	2.5	0.350	0.200	20,000	C-2R	2169	7868	268	266	7312	
3	2.7	0.060	0.040	6,000	C-2R	1738	7838	338			
4	3.0	0.015	0.003	10,000	C-6	2158	7375	375			
5	3.0	0.300	0.340	1,500	C-2R	2129	2304				
6	5.0	0.020	0.020	50,000	C-2V						
7	5.0	0.060	0.030	200,000	C-2R	8805	7360	7332	7346		
8	5.0	0.060	0.050	100,000	C-2R	2200	7361	7333	7347	7318	
9	5.0	0.060	0.150	5,000	C-2R	3151	3149	3150	3152		
10	5.0	0.115	0.150	40,000	C-2R	2203	7362	7335	7348	7319	
11	6.0	0.040	0.055	10,000	C-2R	1730	7945	345	8705	342	
12	6.0	0.200	0.600	1,000	C-2R	1784	7328	328	337	1768	
13	6.3	0.040	0.030	20,000	C-2V	2180	7380	380	7351	7320	
14	6.3	0.075	0.230	1,000	C-2R	1739	7377	377	8708	1775	
15	6.3	0.150	0.450	3,000	C-2R	8350	7368	350			
16	6.3	0.200	0.400	20,000	C-2F	2181	7381	381	379	378	
17	6.3	0.200	0.550	5,000	C-2R	2112	7349	349	398	7323	
18	7.5	0.220	0.900	1,000	C-2R						
19	8.0	0.085	0.150	25,000	C-2F	2178					
20	10.0	0.014	0.004	50,000	C-2V	1869	7344	344	709	8692	
21	10.0	0.040	0.080	5,000	C-2F	2107	7367	367	397	389	
22	11.0	0.022	0.030	10,000	C-2F	8946	7369				
23	12.0	0.040	0.120	10,000	C-2F	2174	7371	394	7354	7326	
24	14.0	0.040	0.120	16,000	C-2F	6543	6547				
25	14.0	0.080	0.300	50,000	C-2F	2182	7382	382	386	8362	
26	14.0	0.080	0.500	1,500	C-2F	1705	7330	330	336	383	
27	14.0	0.090	0.500	3,000	C-2F						
28	14.0	0.100	0.500	10,000	C-2F	2162	7373	8918	393	8162	
29	14.0	0.100	0.720	1,000	C-2F						
30	14.0	0.140	0.680	10,000	C-2F						
31	18.0	0.040	0.150	10,000	C-2F	2102	7370	370	346	8536	
32	22.0	0.040	0.300	2,000	C-2F	8425	7459	459	457	8437	
33	24.0	0.042	0.240	4,000	C-2F						
34	24.0	0.050	0.500	1,000	C-2F	2176	7001	8176			
35	28.0	0.024	0.150	16,000	C-2F						
36	28.0	0.040	0.200	50,000	C-2F	2185	7374	385	7355		
37	28.0	0.040	0.300	25,000	C-2F	2187	7387	387	388	399	
38	28.0	0.040	0.340	7,000	C-2F	1764	7327	327	334	369	
39	28.0	0.060	0.340	25,000	C-2F	1749	7876	376	(334LSV)		
40	28.0	0.065	0.650	5,000	C-2F	8361	7376	7341	7356		
41	28.0	0.066	0.850	10,000	C-2F	2866					
42	32.0	0.040	0.300	10,000	C-2F	1918		269			
43	36.0	0.030	0.220	1,000	C-2F						
44	48.0	0.025	0.200	5,000	CC-2F	6748					
45	60.0	0.020	0.150	5,000	CC-2F	6194	6195BP	6195	62011	6200	



SOLITRONICS ENGINEERING LTD.

TEL: (852)-2730-8145

FAX: (852)-2730-3245

E-mail: info@solitronics.com

MINIATURE LAMP SPECIFICATIONS

Date: 3RD February 2001

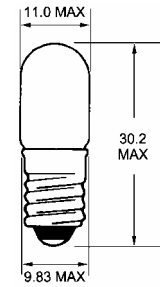
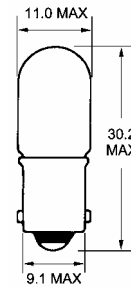
T-3¼ (T-10x28mm BA9s/E-10) Miniature Signal Lamps

Data Sheet:

SEL-SS-1006(1)

Note: All dimensions in mm

T-3¼ (T-10x28mm) E10/BA9s Miniature Signal Lamps



	Volts (V)	Amps (A)	Watts (W)	MSCP	Avg. Life (Hrs.)	Filament Shape	BA9s	E10
1	2.0	0.060	0.120	0.040	1,000	S-2	49	48
2	2.5	0.300	0.750	0.300	1,000	C-2R	1436	
3	2.5	0.500	1.250	0.500	3,000	C-2R	43	41
4	2.9	0.170	0.493	0.270	200	C-2R	291	
5	3.2	0.160	0.512	0.200	3,000	C-2R	1490	1432
6	3.2	0.350	1.120	0.500	3,000	C-2R	45	42
7	5.0	0.070	0.350	0.190	1,000	C-6	1906	
8	5.0	0.090	0.450	0.250	1,500	C-2R	1850	
9	5.1	0.150	0.765	0.500	100	C-2R	1806	
10	6.0	0.333	2.000	0.600	3,000	C-2V	OE-1314	OE-1414
11	6.0	0.700	4.200	3.400	500	C-2R	316	
12	6.3	0.150	0.945	0.330	20,000	C-2R	755	
13	6.3	0.150	0.945	0.380	5,000	C-2R	242	
14	6.3	0.150	0.945	0.380	5,000	C-2R	1847	
15	6.3	0.150	0.945	0.520	3,000	C-2R	47	40
16	6.3	0.250	1.575	0.650	5,000	C-2R	1866	
17	6.3	0.250	1.575	0.900	3,000	C-2R	44	46
18	6.3	0.360	2.268	0.670	5,000	C-2R	39	
19	6.3	0.360	2.268	0.670	5,000	C-2R	240	
20	6.3	0.400	2.520	1.500	3,000	C-2R	1810	
21	6.3	0.500	3.150	2.000	2,000	C-2R	238	
22	7.0	0.500	3.500	2.000	3,000	C-2R	1888	
23	8.0	0.150	1.200	—	1,000	C-2R	540	539
24	9.5	0.900	8.550	—	40	C-2R	1849	
25	9.84	0.500	4.920	4.000	500	C-2R	947	
26	10.0	0.130	1.300	0.850	250	C-2V	1408	
27	12.0	0.090	1.080	0.240	50,000	C-2V	OE-1317	OE-1415
28	12.0	0.100	1.200	0.400	5,000	C-2V	OE-1318	OE-1416
29	12.0	0.167	2.000	0.800	3,000	C-2V	OE-1319	OE-1417
30	12.0	0.183	2.200	0.850	3,000	C-2V	OE-1320	
31	12.0	0.250	3.000	2.400	50	C-2V	OE-1321	OE-1418
32	13.0	0.410	5.330	3.000	1,500	C-2F	181	
33	14.0	0.080	1.120	0.310	15,000	C-2F	756	
34	14.0	0.150	2.100	1.500	200	C-2V	1488	1481
35	14.0	0.200	2.800	1.400	3,000	C-2F	1815	1487
36	14.0	0.240	3.360	2.000	500	C-2F	1891	
37	14.0	0.270	3.780	2.000	2,000	C-2F	1889	
38	14.0	0.330	4.620	2.000	7,500	C-2F	1893	
39	14.4	0.120	1.728	0.750	1,000	C-2F	1892	
40	14.4	0.240	3.456	1.000	3,000	C-2F	216	
41	15.5	0.240	3.720	2.200	500	C-2F	1881	
42	18.0	0.110	1.980	1.000	1,000	C-2V	OE-1324	
43	18.0	0.111	2.000	—	3,000	C-2V		OE-1432
44	18.0	0.150	2.700	1.800	250	C-2V	1826	1827
45	24.0	0.050	1.200	0.240	50,000	C-2F	OE-1325	
46	24.0	0.083	2.000	0.640	3,000	C-2F	OE-1326	OE-1420
47	24.0	0.085	2.040	0.500	90,000	C-2F	OE-1327	OE-1421
48	24.0	0.090	2.160	0.600	50,000	C-2F		OE-1422
49	24.0	0.090	2.160	0.640	5,000	C-2F	OE-1328	
50	24.0	0.110	2.640	1.000	1,000	C-2F	OE-1329	OE-1423



SOLITRONICS ENGINEERING LTD.

TEL: (852)-2730-8145

FAX: (852)-2730-3245

E-mail: info@solitronics.com

MINIATURE LAMP SPECIFICATIONS

Date: July 23, 2005

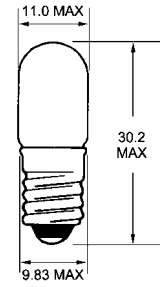
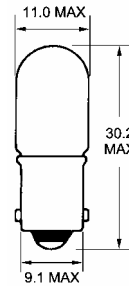
Data Sheet:

T-3¼ (T-10x28mm BA9s/E-10) Miniature Signal Lamps

SEL-SS-1006(2)

Note: All dimensions in mm

T-3¼ (T-10x28mm) E10/BA9s Miniature Signal Lamps



	Volts (V)	Amps (A)	Watts (W)	MSCP	Avg. Life (Hrs.)	Filament Shape	Miniature Bayonet	Miniature Screw
51	24.0	0.125	3.000	1.750	1,000	C-2F		599
52	24.0	0.125	3.000	1.200	5,000	C-2F	OE-1330	
53	24.0	0.210	5.040	2.400	1,000	C-2F	OE-1331	OE-1424
54	24.0	0.170	4.080	3.300	250	C-2F	1818	
55	28.0	0.022	0.616	0.200	3,000	C-2F	1843	
56	28.0	0.040	1.120	0.340	2,500	C-2F	1819	
57	28.0	0.060	1.680	0.640	1,000	C-2F		OE-1425
58	28.0	0.072	2.016	0.800	1,000	C-2F		OE-1426
59	28.0	0.080	2.240	0.620	15,000	C-2F	757	OE-1427
60	28.0	0.110	3.080	1.600	1,000	C-2F	OE-1312	OE-1412
61	28.0	0.100	2.800	1.600	1,000	C-2F	1820	
62	28.0	0.170	4.760	3.000	1,500	C-2F	1864	
63	28.0	0.170	4.760	3.500	500	C-2F	313	1821
64	28.0	0.200	5.600	3.000	7,000	C-2F	1873	
65	30.0	0.067	2.000	0.500	3,000	C-2F	OE-1334	OE-1433
66	30.0	0.110	3.300	2.000	1,000	C-2F		OE-1429
67	36.0	0.100	3.600	2.100	1,000	C-2F	1822	
68	37.5	0.050	1.875	0.650	3,000	C-2F	1828	1832
69	48.0	0.042	2.000	0.500	2,000	C-2F	OE-1335	
70	48.0	0.050	2.400	—	2,000	C-2F		
71	48.0	0.063	3.000	1.190	2,000	C-2F		
72	48.0	0.083	4.000	—	2,000	C-2F		
73	50.0	0.050	2.500	0.720	2,000	C-2F		
74	50.0	0.055	2.750	0.910	2,000	C-2F		
75	55.0	0.050	2.750	1.10	2,000	C-2F		
76	60.0	0.020	1.200	0.170	2,000	C-2F		
77	60.0	0.033	2.000	0.400	2,000	C-2F		
78	60.0	0.040	2.400	—	2,000	C-2F		
79	60.0	0.050	3.000	0.840	2,000	C-2F		
80	60.0	0.067	4.000	1.190	2,000	C-2F		
81	60.0	0.083	5.000	1.590	1,000	C-2F		
82	120.0	0.017	2.000	0.180	2,000	C-5A		
83	130.0	0.015	2.000	0.180	2,000	C-5A		
84	130.0	0.020	2.600	0.300	2,000	C-5A		
85	240.0	0.010	2.400	0.055	1,000	CC-2F		
86	220-240	0.013	3.000	0.126	1,000	CC-2F		
87								
88								
89								
90								



SOLITRONICS ENGINEERING LTD.

TEL: (852) 2730-8145

FAX: (852) 2730-3245

E-mail: info@solitronics.com

WEDGE BASE LAMP SPECIFICATIONS

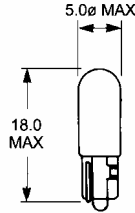
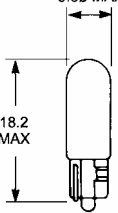
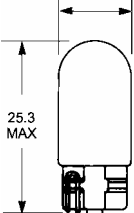
Date: 3rd February, 2001

T-1½ (T-5mm), T-1¾ (T-5.8mm) & T-3¼ (T-10mm) W2x4.6d & W2.1x9.5d Wedge Base Lamps

Data Sheet:

SEL-SS-1007

Note: All dimensions in mm

T-5mm, T-5.8mm & T-10mm Wedge Base Lamps									
	Volts (V)	Amps (A)	Watts (W)	MSCP	Filament Shape	Avg. Life (Hrs.)	T-1½ W2x4.6d Wedge	T1¾ W2x4.6d Wedge	T-3¼ W2.1x9.5d Wedge
1	2.47	0.275	0.679	0.48	C-2R	30			127
2	2.5	0.200	0.500	0.20	C-2R	500		11	
3	5.0	0.115	0.575	0.15	C-2R	40,000		56	
4	6.0	0.030	0.180	0.02	C-2V	5,000	E01		
5	6.0	0.167	1.002	0.30	C-2V	5,000	E02		
6	6.0	0.200	1.200	0.60	C-2R	1,000	E79	79	
7	6.3	0.040	0.252	0.03	C-2V	20,000	E84	84	
8	6.3	0.150	0.945	0.34	C-2R	5,000			159
9	6.3	0.150	0.945	0.52	C-2V	3,000			447
10	6.3	0.200	1.260	0.40	C-2F	20,000	E86	86	
11	6.3	0.250	1.575	0.65	C-2R	5,000			259
12	6.3	0.250	1.575	0.90	C-2R	3,000			555
13	12.0	0.080	0.960	0.08	C-2V	10,000	E04		
14	12.0	0.100	1.200	0.40	C-2V	5,000			1112
15	12.0	0.167	2.004	0.60	C-2F	1,000	E924		
16	12.0	0.250	3.000	1.75	C-2V	1,000			504
17	12.0	0.420	5.040	4.00	C-2V	500			501
18	13.5	0.089	1.202	0.60	C-2V	1,000	E286		
19	13.5	0.149	2.012	0.95	C-2V	1,000	E76		
20	13.5	0.370	4.995	2.60	C-2V	1,000			
21	14.0	0.040	0.560	0.13	C-2F	5,000	E18	18	
22	14.0	0.080	1.120	0.30	C-2F	15,000	E73	73	
23	14.0	0.080	1.120	0.31	C-2F	15,000			658
24	14.0	0.090	1.260	0.50	C-2F	1,500	E37	37	
25	14.0	0.100	1.400	0.70	C-2V	1,000	E74	74	
26	14.0	0.190	2.660	1.00	C-2F	4,000			161
27	14.0	0.240	3.360	2.00	C-2F	500			158
28	14.0	0.270	3.780	2.00	C-2F	2,500			194
29	14.0	0.330	4.620	2.00	C-2F	7,500			193
30	14.0	0.350	4.900	3.00	C-2F	1,500			168
31	24.0	0.030	0.720	0.12	C-2F	5,000	E05		
32	24.0	0.042	1.008	0.28	C-2F	5,000	E06		
33	24.0	0.050	1.200	0.50	C-2F	5,000			
34	24.0	0.125	3.000	1.75	C-2F	1,000			505
35	24.0	0.200	4.800	2.40	C-2F	5,000			507
36	28.0	0.040	1.120	0.30	C-2F	7,000	E85	85	585
37	28.0	0.060	1.680	0.62	C-2F	2,500			656
38	28.0	0.065	1.820	0.65	C-2F	5,000	E17	17	
39	28.0	0.080	2.240	0.62	C-2F	7,500			657
40	28.0	0.100	2.800	1.60	C-2F	1,000			400
41	28.0	0.170	4.760	3.00	C-2F	1,500			464
42	28.0	0.200	5.600	3.00	C-2F	7,000			655



SOLITRONICS ENGINEERING LTD.

TEL: (852)-2730-8145

FAX: (852)-2730-3245

E-mail: info@solitronics.com

WEDGE BASE LAMP SPECIFICATIONS

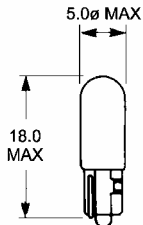
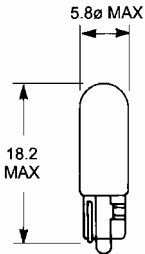
Date: 3rd February, 2001

T-1-1/2 (T-5.0Ømm) & T-1-3/4 (T-5.8Ømm) W2x4.6d Wedge Base Lamps

Data Sheet:

SEL-SS-1007A

Note: All dimensions in mm

T-5Ømm & T-5.8mm) W2x4.6d Wedge Base Lamps									
						T-1½ (T-5mm) W2x4.6d Wedge	T-1¾ (T5.8mm) W2x4.6d Wedge		
	Volts (V)	Amps (mA)	MSCP	Filament Shape	Avg. Life (Hrs.)				
1	2.5	200	0.200	C-2R	1,000			11	
2	2.7	100	0.230	S-2	5			111	
3	5.0	115	0.150	C-2R	20,000			56	
4	6.0	30	0.020	C-2V	5,000	1			
5	6.0	200	0.600	C-2R	1,000	79		79	
6	6.0	1(w)	0.300	C-2V	5,000	2			
7	6.3	40	0.030	C-2V	20,000	84		84	
8	6.3	150	0.340	C-2F	5,000	16			
9	6.3	200	0.400	C-2F	20,000	86		86	
10	12.0	80	0.080	C-2V	10,000	4			
11	13.5	1.2(w)	0.600	C-2V	1,000	286			
12	13.5	2 (w)	0.950	C-2V	1,000	76			
13	14.0	40	0.130	C-2F	5,000	18			
14	14.0	80	0.300	C-2F	15,000	73		73	
15	14.0	90	0.500	C-2F	1,500	37		37	
16	14.0	100	0.700	C-2F	500	74		74	
17	14.0	150	1.500	C-2F	100	70			
18	24.0	30	0.120	C-2F	5,000	5			
19	24.0	1 (w)	0.280	C-2F	5,000	6			
20	28.0	40	0.300	C-2F	7,000	85		85	
21	28.0	65	0.650	C-2F	5,000	17			



SOLITRONICS ENGINEERING LTD.

TEL: (852)-2730-8145

FAX: (852)-2730-3245

E-mail: info@solitronics.com

WEDGE BASE LAMP SPECIFICATIONS

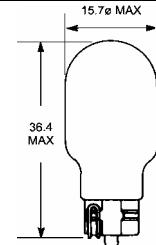
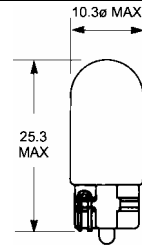
Date: 3rd February, 2001

T-3-1/4 (T-10Ømm) & T-5 (T-16Ømm) Wedge Base Lamps

Data Sheet:

SEL-SS-1007B

T-10Ømm & T-16Ømm W2.1x9.5d Wedge Base Lamps



	Volts (V)	Amps (mA)	MSCP	Filament Shape	Avg. Life (Hrs.)	T-3¼ (T-10mm) W2.1x9.5d Wedge	T-5 (T-16mm) W2.1x9.5d Wedge
1	1.38	560	0.330	S-2	50	559	
2	2.47	250	0.450	C-2R	30	127	
3	4.00	900	3.500	C-6	50		914
4	4.00	1800	7.500	C-2R	50		926
5	5.00	70	0.190	C-6	1,500	740	
6	5.00	90	0.250	C-2R	1,500	285	
7	6.00	140	0.350	C-2V	1,200	820	
8	6.00	620	3.800	C-2R	30		909
9	6.00	1000	6.000	C-2R	200		903
10	6.00	1000	6.500	C-2R	50		929
11	6.00	1200	8.000	C-2R	50		927
12	6.00	1500	12.000	C-2R	50		908
13	6.30	150	0.340	C-2R	5,000	159	
14	6.30	150	0.520	C-2V	1,500	447	
15	6.30	250	0.650	C-2R	5,000	256	
16	6.30	250	0.900	C-2V	3,000	444	
17	6.30	250	0.900	C-2R	3,000	555	
18	7.00	340	0.300	C-2F	25,000	190	
19	7.00	430	2.000	C-2R	1,500	147	
20	9.84	500	4.000	C-2R	200	947	
21	10.00	130	0.850	C-2V	250	280	
22	12.00	170	0.800	C-2V	4,000	3-509	
23	12.00	250	1.110	C-2V	4,000	3-504	
24	12.00	420	2.600	C-2R	1,000	3-501	
25	12.00	750	11.000	C-2R	50		915
26	12.80	900	12.500	C-2R	500		923
27	12.80	980	15.000	C-2R	200		922
28	12.80	1000	12.000	C-2R	1,000		912
29	12.80	1200	10.000	C-2F	1,200		917
30	12.80	1400	21.000	C-2R	1,000		921
31	13.00	330	3.000	C-2V	1,000	192	
32	13.00	690	6.000	C-2F	1,000		906
33	13.50	5(w)	4.000	C-2V	1,000	1250X	
34	13.50	540	2.000	C-2F	10,000	916	
35	13.50	690	4.000	C-2F	5,000		904
36	14.00	80	0.310	C-2F	15,000	658	
37	14.00	190	1.000	C-2F	4,000	161	
38	14.00	240	2.000	C-2V	500	158	
39	14.00	270	2.000	C-2F	2,500	194	
40	14.00	270	1.500	C-2F	5,000	124	
41	14.00	330	2.000	C-2F	5,000	193	
42	14.00	350	3.000	C-2F	1,500	168	
43	14.40	240	1.000	C-2F	5,000	184	
44	24.00	130	1.000	C-2F	5,000	3-505	
45	24.00	210	2.400	C-2F	5,000	3-507	
46	28.00	40	0.300	C-2F	7,000	585	
47	28.00	60	0.620	C-2F	2,500	656	
48	28.00	70	0.850	C-2F	10,000	152	
49	28.00	80	0.620	C-2F	7,500	657	
50	28.00	100	1.600	C-2V	1,000	400	
51	28.00	170	3.000	C-2F	1,500	464	
52	28.00	200	3.000	C-2F	7,000	655	
53	28.00	300	6.000	C-2F	500	926	



SOLITRONICS ENGINEERING LTD.

TEL: (852)-2730-8145

FAX: (852)-2730-3245

E-mail: info@solitronics.com

MINIATURE LAMP SPECIFICATIONS

Date: 8th February, 2001

T-13mm T-16mm BA15D Bayonet Tubular Signal Lamps

Data Sheet:

SEL-SS-1008

T-13x34 BA15D/19	T-16x45 BA15D/19	T-16x45 BA15D/19	T-16x48 BA15D/19	T-16x54 BA15D/19
Fig. A	Fig. B	Fig. C	Fig. D	Fig. E

* All units are in mm.

	Volts (V)	Watts (W)	Filament Shape	Avg. Life (hrs.)	T-13x34 Fig. A	T-16x35 Fig. B	T-16x45 Fig. C	T-16x48 Fig. D	T-16x54 Fig. E
1	6	3	C-2R	1,000	B13340603	B16350603	B16450603	B16480603	B16540603
2	6	5	C-2R	1,000	B13340605	B16350605	B16450605	B16480605	B16540605
3	12	4	C-2R	1,000	B13341204	B16351204	B16451204	B16481204	B16541204
4	12	5	C-2R	1,000	B13341205	B16351205	B16451205	B16481205	B16541205
5	12	10	C-2R	1,000	B13341210	B16351210	B16451210	B16481210	B16541210
6	24	2	C-2V	2,000	B13342402	B16352402	B16452402	B16482402	B16542402
7	24	3	C-2V	2,000	B13342403	B16352403	B16452403	B16482403	B16542403
8	24	4	C-2V	2,000	B13342404	B16352404	B16452404	B16482404	B16542404
9	24	5	C-2V	2,000	B13342405	B16352405	B16452405	B16482405	B16542405
10	24	10	C-2V	2,000	B13342410	B16352410	B16452410	B16482410	B16542410
11	24	15	C-2V	1,000	B13342415	B16352415	B16452415	B16482415	B16542415
12	24-30	5-7	C-2V	2,000	B13342706	B16352706	B16452706	B16482706	B16542706
13	24-30	6-10	C-2V	2,000	B13342708	B16352708	B16452708	B16482708	B16542708
14	30	3	C-2V	2,000	B13343003	B16353003	B16453003	B16483003	B16543003
15	30	5	C-2V	2,000	B13343005	B16353005	B16453005	B16483005	B16543005
16	36	5	C-2V	2,000	B13343605	B16353605	B16453605	B16483605	B16543605
17	42	3	C-2F	2,000	B13344203	B16354203	B16454203	B16484203	B16544203
18	42	5	C-2F	2,000	B13344205	B16354205	B16454205	B16484205	B16544205
19	48	5	C-3A	2,000	B13344805	B16354805	B16454805	B16484805	B16544805
20	48	10	C-3A	2,000	B13344810	B16354810	B16454810	B16484810	B16544810
21	48-60	5-7	C-3A	2,000	B13345406	B16355406	B16455406	B16485406	B16545406
22	48-60	6-10	C-3A	2,000	B13345408	B16355408	B16455408	B16485408	B16545408
23	60	4	C-3A	2,000	B13346004	B16356004	B16456004	B16486004	B16546004
24	60	5	C-3A	2,000	B13346005	B16356005	B16456005	B16486005	B16546005
25	60	10	C-3A	2,000	B13346010	B16356010	B16456010	B16486010	B16546010
26	110	5	C-5A	2,000	B133411005	B163511005	B164511005	B164811005	B165411005
27	110-140	3-5	C-5A	2,000	B133412504	B163512504	B164512504	B164812504	B165412504
28	110-140	5-7	C-5A	2,000	B133412506	B163512506	B164512506	B164812506	B165412506
29	110-140	6-10	C-5A	2,000	B133412508	B163512508	B164512508	B164812508	B165412508
30	130	3	C-5A	2,000	B133413003	B163513003	B164513003	B164813003	B165413003
31	130	5	C-5A	2,000	B133413005	B163513005	B164513005	B164813005	B165413005
32	140	7	C-5A	2,000	B133414007	B163514007	B164514007	B164814007	B165414007
33	160	5	C-5A	2,000	B133416005	B163516005	B164516005	B164816005	B165416005
34	220-260	3-5	C-7A	2,000	B133424004	B163524004	B164524004	B164824004	B165424004
35	220-260	5-7	C-7A	2,000	B133424006	B163524006	B164524006	B164824006	B165424006
36	220-260	6-10	C-7A	2,000	B133424008	B163524008	B164524008	B164824008	B165424008
37	220-260	10-15	C-7A	2,000	B133424013	B163524013	B164524013	B164824013	B165424013
38	380	10	CC-7A	2,000	B133438010	B163538010	B164538010	B164838010	B165438010
39									
40									



SOLITRONICS ENGINEERING LTD.

TEL: (852)-2730-8145

FAX: (852)-2730-3245

E-mail: info@solitronics.com

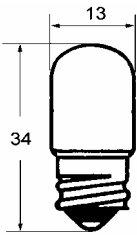
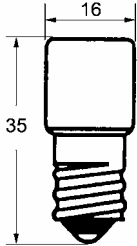
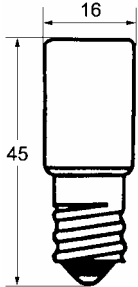
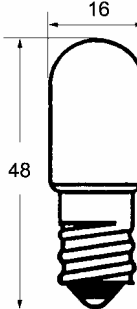
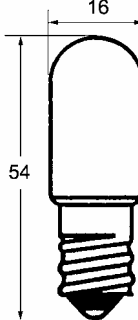
MINIATURE LAMP SPECIFICATIONS

Date: 3rd February, 2001

T-13mm & T-16mm E14 Screw Tubular Signal Lamps

Data Sheet:

SEL-SS-1009

T-13x34 E14/17	T-16x35 E14/17	T-16x45 E14/20	T-16x48 E14/20	T-16x54 E14/22
				
Fig. A	Fig. B	Fig. C	Fig. D	Fig. E

* Note: All dimensions in mm

	Volts (V)	Watts (W)	Filament Shape	Avg. Life (hrs.)	T-13x34 Fig. A	T-16x35 Fig. B	T-16x45 Fig. C	T-16x48 Fig. D	T-16x54 Fig. E
1	6	3	C-2R	1,000	E13340603	E16350603	E16450603	E16480603	E16540603
2	6	5	C-2R	1,000	E13340605	E16350605	E16450605	E16480605	E16540605
3	12	4	C-2R	1,000	E13341204	E16351204	E16451204	E16481204	E16541204
4	12	5	C-2R	1,000	E13341205	E16351205	E16451205	E16481205	E16541205
5	12	10	C-2R	1,000	E13341210	E16351210	E16451210	E16481210	E16541210
6	24	2	C-2V	2,000	E13342402	E16352402	E16452402	E16482402	E16542402
7	24	3	C-2V	2,000	E13342403	E16352403	E16452403	E16482403	E16542403
8	24	4	C-2V	2,000	E13342404	E16352404	E16452404	E16482404	E16542404
9	24	5	C-2V	2,000	E13342405	E16352405	E16452405	E16482405	E16542405
10	24	10	C-2V	2,000	E13342410	E16352410	E16452410	E16482410	E16542410
11	24	15	C-2V	1,000	E13342415	E16352415	E16452415	E16482415	E16542415
12	24-30	5-7	C-2V	2,000	E13342706	E16352706	E16452706	E16482706	E16542706
13	24-30	6-10	C-2V	2,000	E13342708	E16352708	E16452708	E16482708	E16542708
14	30	3	C-2V	2,000	E13343003	E16353003	E16453003	E16483003	E16543003
15	30	5	C-2V	2,000	E13343005	E16353005	E16453005	E16483005	E16543005
16	36	5	C-2V	2,000	E13343605	E16353605	E16453605	E16483605	E16543605
17	42	3	C-2F	2,000	E13344203	E16354203	E16454203	E16484203	E16544203
18	42	5	C-2F	2,000	E13344205	E16354205	E16454205	E16484205	E16544205
19	48	5	C-3A	2,000	E13344805	E16354805	E16454805	E16484805	E16544805
20	48	10	C-3A	2,000	E13344810	E16354810	E16454810	E16484810	E16544810
21	48-60	5-7	C-3A	2,000	E13345406	E16355406	E16455406	E16485406	E16545406
22	48-60	6-10	C-3A	2,000	E13345408	E16355408	E16455408	E16485408	E16545408
23	60	4	C-3A	2,000	E13346004	E16356004	E16456004	E16486004	E16546004
24	60	5	C-3A	2,000	E13346005	E16356005	E16456005	E16486005	E16546005
25	60	10	C-3A	2,000	E13346010	E16356010	E16456010	E16486010	E16546010
26	110	5	C-5A	2,000	E133411005	E163511005	E164511005	E164811005	E165411005
27	110-140	3-5	C-5A	2,000	E133412504	E163512504	E164512504	E164812504	E165412504
28	110-140	5-7	C-5A	2,000	E133412506	E163512506	E164512506	E164812506	E165412506
29	110-140	6-10	C-5A	2,000	E133412508	E163512508	E164512508	E164812508	E165412508
30	130	3	C-5A	2,000	E133413003	E163513003	E164513003	E164813003	E165413003
31	130	5	C-5A	2,000	E133413005	E163513005	E164513005	E164813005	E165413005
32	140	7	C-5A	2,000	E133414007	E163514007	E164514007	E164814007	E165414007
33	160	5	C-5A	2,000	E133416005	E163516005	E164516005	E164816005	E165416005
34	220-260	3-5	C-7A	2,000	E133424004	E163524004	E164524004	E164824004	E165424004
35	220-260	5-7	C-7A	2,000	E133424006	E163524006	E164524006	E164824006	E165424006
36	220-260	6-10	C-7A	2,000	E133424008	E163524008	E164524008	E164824008	E165424008
37	220-260	10-15	C-7A	2,000	E133424013	E163524013	E164524013	E164824013	E165424013
38	380	10	CC-7A	2,000	E133438010	E163538010	E164538010	E164838010	E165438010
39									
40									



SOLITRONICS ENGINEERING LTD.

TEL: (852) 2730-8145

FAX: (852) 2730-3245

E-mail: info@solitronics.com

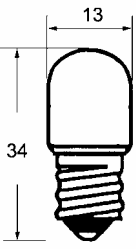
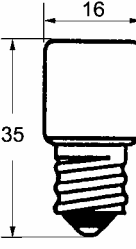
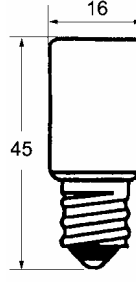
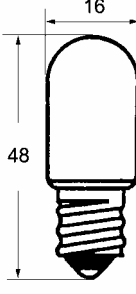
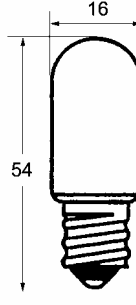
MINIATURE LAMP SPECIFICATIONS

Date: 8th February, 2001

T-13mm & T-16mm E12 Screw Tubular Signal Lamps

Data Sheet:

SEL-SS-1010

T-13x34 E12/15	T-16x35 E12/15	T-16x45 E12/15	T-16x48 E12/15	T-16x54 E12/15
				
Fig. A	Fig. B	Fig. C	Fig. D	Fig. E

* All dimensions in mm.

	Volts (V)	Watts (W)	Filament Shape	Avg. Life (hrs.)	T-13x34 Fig. A	T-16x35 Fig. B	T-16x45 Fig. C	T-16x48 Fig. D	T-16x54 Fig. E
1	6	3	C-2R	1,000	F13340603	F16350603	F16450603	F16480603	F16540603
2	6	5	C-2R	1,000	F13340605	F16350605	F16450605	F16480605	F16540605
3	12	4	C-2R	1,000	F13341204	F16351204	F16451204	F16481204	F16541204
4	12	5	C-2R	1,000	F13341205	F16351205	F16451205	F16481205	F16541205
5	12	10	C-2R	1,000	F13341210	F16351210	F16451210	F16481210	F16541210
6	24	2	C-2V	2,000	F13342402	F16352402	F16452402	F16482402	F16542402
7	24	3	C-2V	2,000	F13342403	F16352403	F16452403	F16482403	F16542403
8	24	4	C-2V	2,000	F13342404	F16352404	F16452404	F16482404	F16542404
9	24	5	C-2V	2,000	F13342405	F16352405	F16452405	F16482405	F16542405
10	24	10	C-2V	2,000	F13342410	F16352410	F16452410	F16482410	F16542410
11	24	15	C-2V	1,000	F13342415	F16352415	F16452415	F16482415	F16542415
12	24-30	5-7	C-2V	2,000	F13342706	F16352706	F16452706	F16482706	F16542706
13	24-30	6-10	C-2V	2,000	F13342708	F16352708	F16452708	F16482708	F16542708
14	30	3	C-2V	2,000	F13343003	F16353003	F16453003	F16483003	F16543003
15	30	5	C-2V	2,000	F13343005	F16353005	F16453005	F16483005	F16543005
16	36	5	C-2V	2,000	F13343605	F16353605	F16453605	F16483605	F16543605
17	42	3	C-2F	2,000	F13344203	F16354203	F16454203	F16484203	F16544203
18	42	5	C-2F	2,000	F13344205	F16354205	F16454205	F16484205	F16544205
19	48	5	C-3A	2,000	F13344805	F16354805	F16454805	F16484805	F16544805
20	48	10	C-3A	2,000	F13344810	F16354810	F16454810	F16484810	F16544810
21	48-60	5-7	C-3A	2,000	F13345406	F16355406	F16455406	F16485406	F16545406
22	48-60	6-10	C-3A	2,000	F13345408	F16355408	F16455408	F16485408	F16545408
23	60	4	C-3A	2,000	F13346004	F16356004	F16456004	F16486004	F16546004
24	60	5	C-3A	2,000	F13346005	F16356005	F16456005	F16486005	F16546005
25	60	10	C-3A	2,000	F13346010	F16356010	F16456010	F16486010	F16546010
26	110	5	C-5A	2,000	F133411005	F163511005	F164511005	F164811005	F165411005
27	110-140	3-5	C-5A	2,000	F133412504	F163512504	F164512504	F164812504	F165412504
28	110-140	5-7	C-5A	2,000	F133412506	F163512506	F164512506	F164812506	F165412506
29	110-140	6-10	C-5A	2,000	F133412508	F163512508	F164512508	F164812508	F165412508
30	130	3	C-5A	2,000	F133413003	F163513003	F164513003	F164813003	F165413003
31	130	5	C-5A	2,000	F133413005	F163513005	F164513005	F164813005	F165413005
32	140	7	C-5A	2,000	F133414007	F163514007	F164514007	F164814007	F165414007
33	160	5	C-5A	2,000	F133416005	F163516005	F164516005	F164816005	F165416005
34	220-260	3-5	C-7A	2,000	F133424004	F163524004	F164524004	F164824004	F165424004
35	220-260	5-7	C-7A	2,000	F133424006	F163524006	F164524006	F164824006	F165424006
36	220-260	6-10	C-7A	2,000	F133424008	F163524008	F164524008	F164824008	F165424008
37	220-260	10-15	C-7A	2,000	F133424013	F163524013	F164524013	F164824013	F165424013
38	380	10	CC-7A	2,000	F133438010	F163538010	F164538010	F164838010	F165438010
39									
40									



SOLITRONICS ENGINEERING LTD.

TEL: (852)-2730-8145

FAX: (852)-2730-3245

E-mail: info@solitronics.com

FESTOON & RIGID-LOOP BASE LAMPS

Date: 8th February, 2001

6øx28mm, 6øx31mm, 6øx36mm, 6øx39mm
8øx28mm, 8øx31mm, 8øx36mm, 8øx39mm

Data Sheet:

SEL-SS-1011(1)

A	T- 6 x 28	B	T- 6 x 31	C	T- 6 x 36	D	T- 6 x 39
E	T- 8 x 28	F	T- 8 x 31	G	T- 8 x 36	H	T- 8 x 39

* Note: All dimensions in mm.

FESTOON LAMPS

	Nomenclature	Volts (V)	AMPS (A)	MSCP	Lumen (Lm)	Avg. Life (Hrs.)	Filament Shape	A	B	C	D	E	F	G	H
1	6V 3.0W	7.0	0.410	2.00	25.0	500	C-8								
2	6V 5.0W	6.75	0.740	3.00	38.0	1,000	C-8								
3	6V 5.0W	7.0	0.630	3.00	38.0	1,000	C-8								
4	6V 8.0W	6.5	1.230	7.56	95.0	300	C-8								
5	6V 10W	6.5	1.540	9.55	120.0	300	C-8								
6	6V 15.0W	6.75	2.220	16.72	210.0	100	C-8								
7	6V 18.0W	7.0	2.571				C-8								
8	12V 2.0W	13.0	0.150	1.20	15.0	1,000	C-8								
9	12V 3.0W	15.0	0.270	2.04	30.0	800	C-8								
10	12V 3.4W	14.0	0.240	2.00	5.0	800	C-8								
11	12V 4.0W	13.5	0.300	2.40	30.0	500	C-8								
12	12V 5.0W	13.0	0.380	3.00	38.0	1,000	C-8								
13	12V 6.0W	14.0	0.430	4.40	55.0	1,000	C-8								
14	12V 8.0W	13.0	0.620	7.56	95.0	400	C-8								
15	12V 10.0W	13.0	0.770	9.55	120.0	500	C-8								
16	12V 15.0W	13.0	1.153	18.00	226.0	100	C-8								
17	12V 18.0W	13.0	1.364				C-8								
18	12V 20.0W	13.0	1.540	21.50	270.0	600	C-8								
19	12V 21.0W	13.0	1.615				C-8								
20	24V 3.0W	28.0	0.110	1.60	20.0	1,000	CC-8								
21	24V 5.0W	28.0	0.180	3.00	38.0	1,000	CC-8								
22	24V 8.0W	28.0	0.290	5.18	65.0	1,000	CC-8								
23	24V 10.0W	28.0	0.370	6.40	80.0	1,000	CC-8								
24	24V 12.0W	28.0	0.430	8.80	110.0	500	C-8								
25	24V 15.0W	28.0	0.535	15.00	190.0	100	CC-8								
26	24V 18.0W	24.0	0.750												
27	24V 20.0W	28.0	0.714	15.00	190.0	80	CC-8								
28	24V 20.0W	28.0	0.720	20.00	250.0	100	C-8								
29	24V 21.0W	28.0	0.750				C-8								
30	48V 5.0W	48.0	0.104	1.80	22.6	10,000	CC-8								
31	60V 5.0W	60.0	0.083	4.00	50.0	100	CC-8								
32	60V 10.0W	60.0	0.167	9.00	113.0	100	CC-8								



SOLITRONICS ENGINEERING LTD.

TEL: (852)-2730-8145

FAX: (852)-2730-3245

E-mail: info@solitronics.com

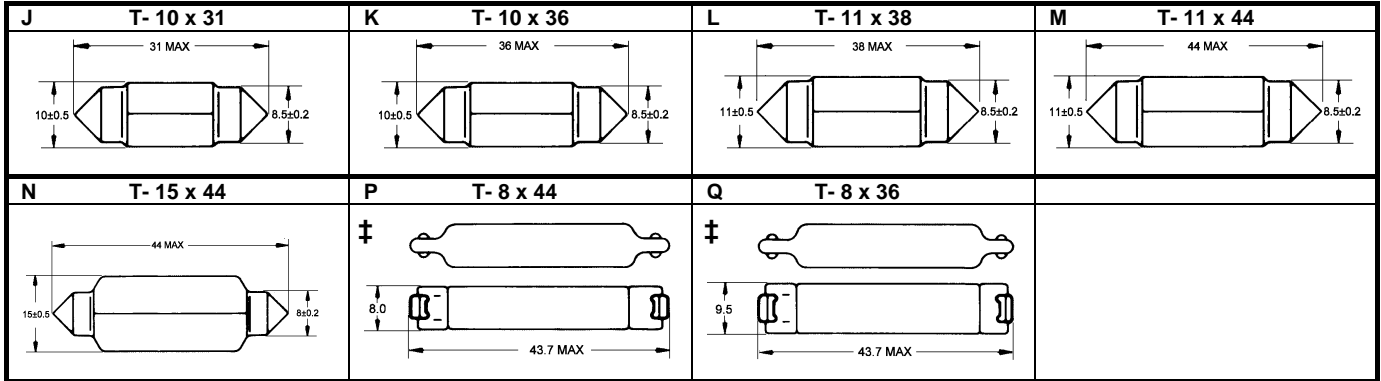
FESTOON & RIGID-LOOP BASE LAMPS

Date: 8th May 11, 2015

10Øx31mm, 10Øx36mm, 11Øx38mm, 11Øx44mm
15Øx44mm, 8Øx44mm, 8Øx36mm

Data Sheet:

SEL-SS-1011(2)



* Note: All dimensions in mm. ‡ Rigid-Loop Base Lamp

Nomenclature	Volts (V)	AMPS (A)	MSCP	Lumen (Lm)	Avg. Life (Hrs.)	Filament Shape	J	K	L	M	N			
--------------	-----------	----------	------	------------	------------------	----------------	---	---	---	---	---	--	--	--

FESTOON LAMPS

1	6V	3.0W	7.0	0.410	2.00	25.0	500	C-8							
2	6V	5.0W	6.75	0.740	3.00	38.0	1,000	C-8							
3	6V	5.0W	7.0	0.630	3.00	38.0	1,000	C-8							
4	6V	8.0W	6.5	1.230	7.56	95.0	300	C-8							
5	6V	10.0W	6.5	1.540	9.55	120.0	300	C-8							
6	6V	15.0W	6.75	2.220	16.72	210.0	100	C-8							
7	6V	18.0W	6.75	2.670				C-8							
8	12V	2.0W	13.0	0.150	1.20	15.0	1,000	C-8							
9	12V	3.0W	15.0	0.270	2.04	30.0	800	C-8							
10	12V	3.4W	14.0	0.240	2.00	5.0	800	C-8							
11	12V	4.0W	13.5	0.300	2.40	30.0	500	C-8							
12	12V	5.0W	13.0	0.380	3.00	38.0	1,000	C-8							
13	12V	6.0W	14.0	0.430	4.40	55.0	1,000	C-8							
14	12V	8.0W	13.0	0.620	7.56	95.0	400	C-8							
15	12V	10.0W	13.0	0.770	9.55	120.0	500	C-8							
16	12V	15.0W	13.0	1.153	18.00	226.0	100	C-8							
17	12V	18.0W	13.0	1.384				C-8							
18	12V	20.0W	13.0	1.540	21.50	270.0	600	C-8							
19	12V	21.0W	13.0	1.615				C-8							
20	24V	3.0W	28.0	0.110	1.60	20.0	1,000	CC-8							
21	24V	5.0W	28.0	0.180	3.00	38.0	1,000	CC-8							
22	24V	8.0W	28.0	0.290	5.18	65.0	1,000	CC-8							
23	24V	10.0W	28.0	0.370	6.40	80.0	1,000	CC-8							
24	24V	12.0W	28.0	0.430	8.80	110.0	500	C-8							
25	24V	15.0W	28.0	0.535	15.00	190.0	100	CC-8							
26	24V	18.0W	28.0	0.750				C-8							
27	24V	20.0W	28.0	0.714	15.00	190.0	80	CC-8							
28	24V	20.0W	28.0	0.720	20.00	250.0	100	C-8							
29	24V	21.0W	28.0	0.750				C-8							
30	48V	5.0W	48.0	0.104	1.80	22.6	10,000	CC-8							
31	60V	5.0W	60.0	0.083	4.00	50.0	100	CC-8							
32	60V	10.0W	60.0	0.167	9.00	113.0	100	CC-8							

RIGID LOOP LAMPS

									REFERENCE		P	Q
33	15V	9.0W	15.0	0.600	4.80	60.0	1,000	C-8	ARGON			
34	13.5V	5.0W	13.5	0.370	4.00	50.0	3,000	C-8	XENON			
35	12.4V	8.5W	12.4	0.685	6.00	75.0	2,000	C-8	XENON			
36	13.5V	10.0W	13.5	0.740	10.00	125.6	3,000	C-8	XENON			
37	26V	5.0W	26.0	0.192	4.00	50.0	4,000	C-8	XENON			
38	26V	10.0W	26.0	0.385	10.00	125.6	3,000	C-8	XENON			
39	14V	6.2W	14.0	0.440	2.00	25.0	2,000	C-8	# 584			
40	13.5V	7.0W	13.5	0.520	4.00	50.0	1,000	C-8	# 563			
41	13.5V	10.0W	13.5	0.740	6.00	75.0	2,000	C-8	# 562			
42	12.8V	12.0W	12.8	0.970	12.00	150.0	1,000	CC-8	# 561	KRYPTON		



SOLITRONICS ENGINEERING LTD.

TEL: (852)-2730-8145

FAX: (852)-2730-3245

E-mail: info@solitronics.com

SUB-MINIATURE LAMP SPECIFICATIONS

Date: 3rd February 2001

Telephone Slide Lamps

Data Sheet:

SEL-SS-1012

T-4.5	T-4.6	T-5.5K	T-5.5	T-6.8 (DIN)	PSB
Fig. A	Fig. B	Fig. C	Fig. D	Fig. E	Fig. F

* Note: All dimensions in mm.

	Volts (V)	AMPS (A)	Avg. Lumen	Avg. Life (Hrs.)	Filament Shape	T-4.5 Fig. A	T-4.6 Fig. B	T-5.5K Fig. C	T-5.5 Fig. D	T-6.8(DIN) Fig. E	PSB Fig. F
1	6.0	0.020	0.17	10,000	C-2V	450620	460620	520620	550620	680620	
2	6.0	0.040	0.60	10,000	C-2V	450640	460640	520640	550640		
3	6.0	0.050	0.70	10,000	C-2V					680650	
4	6.0	0.100	2.20	10,000	C-2V					6806100	
5	6.0	0.140	1.52	20,000	C-2V						6PSB
6	6.0	0.200	6.00	10,000	C-2V					6806200	
7	12.0	0.020	0.40	10,000	C-2V	451220	461220	521220	551220	681220	
8	12.0	0.040	0.80	10,000	C-2V	451240	461240	521240	551240		
9	12.0	0.050	1.60	10,000	C-2V	451250	461250	521250	551250		
10	12.0	0.050	2.00	10,000	C-2V					681250	
11	12.0	0.100	4.00	10,000	C-2V			5212100	5512100		
12	12.0	0.100	5.50	10,000	C-2V					6812100	
13	12.0	0.170	4.45	12,000	C-2F						12PSB
14	24.0	0.020	0.70	10,000	C-2F	452420	462420	522420	552420	682420	
15	24.0	0.030	1.40	10,000	C-2F	452430	462430	522430	552430		
16	24.0	0.040	2.70	10,000	C-2F	452440	462440	522440	552440	682440	
17	24.0	0.050	3.40	10,000	C-2F	452450	462450	522450	552450	682450	
18	24.0	0.073	6.35	10,000	C-2F						24PSB
19	28.0	0.020	0.95	10,000	C-2F			522820	552820		
20	28.0	0.040	2.40	10,000	C-2F					682840	
21	28.0	0.040	3.30	5,000	C-2F				552840		28PSB
22	28.0	0.050	4.00	10,000	C-2F			522850	552850		
23	30.0	0.020	1.00	10,000	C-2F	453020	463020	523020	553020		
24	30.0	0.040	3.60	10,000	C-2F	453040	463040	523040	553040	683040	
25	30.0	0.050	4.40	10,000	C-2F			523050			
26	32.0	0.033	4.20	20,000	C-2F	453233	463233	523233	553233		
27	36.0	0.020	1.30	10,000	C-2F	453620	463620	523620	553620	683620	
28	36.0	0.040	4.70	10,000	C-2F					683640	
29	36.0	0.050	5.86	10,000	C-2F				553650	683650	
30	48.0	0.020	1.80	5,000	CC-2F	454820	464820	524820	554820	684820	
31	48.0	0.025	2.60	5,000	CC-2F				554825	684825	
32	48.0	0.030	3.10	5,000	CC-2F	454830	464830	524830	554830		
33	48.0	0.040	4.30	5,000	CC-2F					684840	
34	48.0	0.050	4.85	5,000	CC-2F					684850	
35	48.0	0.053	7.00	7,500	CC-2F						48PSB
36	60.0	0.020	2.00	5,000	CC-2F	456020	466020	526020	556020	686020	
37	60.0	0.040	8.00	5,000	CC-2F					686040	
38	60.0	0.050	7.07	7,500	CC-2F						60PSB
39	70.0	0.020	3.00	5,000	CC-2F				557020	687020	
40	120.0	0.025	4.57	10,000	SPCL						120PSB



SOLITRONICS ENGINEERING LTD.

TEL: (852)-2730-8145

FAX: (852)-2730-3245

E-mail: info@solitronics.com

FLASH LIGHT AND BICYCLE LAMP BULBS

Date: 12th August, 2002

Pre-Focus B-11mm, T-10mm and TL-10mm

Data Sheet & Price-List:

SEL-SS-1013 (1)

A	B	C	D	E	F
Pre-focus	Miniature Screw	Pre-Focus	Miniature-Screw	Lens+Pre-Focus	Lens+Screw
B11 P13.5S/14	B11 E10/13(E10/12)	T10 P13.5S/14	T10 E10/13 (E10/12)	TL10 P13.5S/14	TL10 E10 (E10/12)

*Note: All dimensions are in mm

	VOLTS (V)	AMPS (mA)	WATTS (W)	MSCP	Lumens	LIFE (HRS)	GAS	Fig. A			Fig. B			Fig. C			Fig. D			Fig. E			Fig. F		
1	2.33	270	0.62	0.40	5.00	10	VACUUM	VDA	23027	VA	VAC	23027	VA	UDA	23027	VA	UCA	23027	VA	UDA	23027	VAL	UCA	23027	VAL
2	2.50	300	0.75	0.48	6.00	40	VACUUM	VDA	25030	VA	VAC	25030	VA	UDA	25030	VA	UCA	25030	VA	UDA	25030	VAL	UCA	25030	VAL
3	2.50	500	1.25	0.88	11.00	15	VACUUM	VDA	25050	VA	VAC	25050	VA	UDA	25050	VA	UCA	25050	VA	UDA	25050	VAL	UCA	25050	VAL
4	3.60	300	1.08	0.72	9.00	30	VACUUM	VDA	36030	VA	VAC	36030	VA	UDA	36030	VA	UCA	36030	VA	UDA	36030	VAL	UCA	36030	VAL
5	3.80	500	1.90	1.60	20.00	15	VACUUM	VDA	38050	VA	VAC	38050	VA	UDA	38050	VA	UCA	38050	VA	UDA	38050	VAL	UCA	38050	VAL
6	4.80	500	2.40	2.23	28.00	15	ARGON	VDA	48050	AA	VAC	48050	AA	UDA	48050	AA	UCA	48050	AA	UDA	48050	AAL	UCA	48050	AAL
7	6.00	500	3.00	2.63	33.00	20	ARGON	VDA	60050	AA	VAC	60050	AA	UDA	60050	AA	UCA	60050	AA	UDA	60050	AAL	UCA	60050	AAL
8	6.00	550	3.30	2.39	30.00	20	ARGON	VDA	60055	AA	VAC	60055	AA	UDA	60055	AA	UCA	60055	AA	UDA	60055	AAL	UCA	60055	AAL
9	7.20	550	3.96	4.78	60.00	20	ARGON	VDA	72055	AA	VAC	72055	AA	UDA	72055	AA	UCA	72055	AA	UDA	72055	AAL	UCA	72055	AAL
10	2.50	370	0.93	0.56	7.00	20	KRYPTON	VDA	25037	KA	VAC	25037	KA	UDA	25037	KA	UCA	25037	KA	UDA	25037	KAL	UCA	25037	KAL
11	2.20	480	1.06	0.63	7.90	15	KRYPTON	VDA	22048	KA	VAC	22048	KA	UDA	22048	KA	UCA	22048	KA	UDA	22048	KAL	UCA	22048	KAL
12	2.40	490	1.18	0.84	10.60	10	KRYPTON	VDA	24049	KA	VAC	24049	KA	UDA	24049	KA	UCA	24049	KA	UDA	24049	KAL	UCA	24049	KAL
13	2.50	520	1.30	0.88	11.00	15	KRYPTON	VDA	25052	KA	VAC	25052	KA	UDA	25052	KA	UCA	25052	KA	UDA	25052	KAL	UCA	25052	KAL
14	2.50	620	1.49	1.11	14.00	10	KRYPTON	VDA	25062	KA	VAC	25062	KA	UDA	25062	KA	UCA	25062	KA	UDA	25062	KAL	UCA	25062	KAL
15	2.40	750	1.80	1.27	16.00	10	KRYPTON	VDA	24075	KA	VAC	24075	KA	UDA	24075	KA	UCA	24075	KA	UDA	24075	KAL	UCA	24075	KAL
16	2.40	830	1.99	1.47	18.50	15	KRYPTON	VDA	24083	KA	VAC	24083	KA	UDA	24083	KA	UCA	24083	KA	UDA	24083	KAL	UCA	24083	KAL
17	2.00	1200	2.40	1.60	20.00	15	KRYPTON	VDA	20120	KA	VAC	20120	KA	UDA	20120	KA	UCA	20120	KA	UDA	20120	KAL	UCA	20120	KAL
18	3.60	320	1.15	0.84	10.50	30	KRYPTON	VDA	36032	KA	VAC	36032	KA	UDA	36032	KA	UCA	36032	KA	UDA	36032	KAL	UCA	36032	KAL
19	3.80	520	1.97	1.83	23.00	15	KRYPTON	VDA	38052	KA	VAC	38052	KA	UDA	38052	KA	UCA	38052	KA	UDA	38052	KAL	UCA	38052	KAL
20	3.60	910	3.28	3.34	42.00	20	KRYPTON	VDA	36091	KA	VAC	36091	KA	UDA	36091	KA	UCA	36091	KA	UDA	36091	KAL	UCA	36091	KAL
21	3.60	1000	3.60	3.18	40.00	150	KRYPTON	VDA	36100	KA	VAC	36100	KA	UDA	36100	KA	UCA	36100	KA	UDA	36100	KAL	UCA	36100	KAL
22	3.85	1200	4.62	5.41	68.00	15	KRYPTON	VDA	38120	KA	VAC	38120	KA	UDA	38120	KA	UCA	38120	KA	UDA	38120	KAL	UCA	38120	KAL



SOLITRONICS ENGINEERING LTD.

TEL: (852)-2730-8145

FAX: (852)-2730-3245

E-mail: info@solitronics.com

FLASH LIGHT AND BICYCLE LAMP BULBS

Date: 12th August, 2002

Pre-Focus B-11mm, T-10mm and TL-10mm

Data Sheet & Price-List:

SEL-SS-1013 (2)

A	B	C	D	E	F
Pre-focus	Miniature Screw	Pre-Focus	Miniature-Screw	Lens+Pre-Focus	Lens+Screw
B11 P13.5S/14	B11 E10/13(E10/12)	T10 P13.5S/14	T10 E10/13 (E10/12)	TL10 P13.5S/14	TL10 E10 (E10/12)

23	4.00	900	3.60	4.22	53.00	15	KRYPTON	VDA	40090	KA	VAC	40090	KA	UDA	40090	KA	UCA	40090	KA	UDA	40090	KAL	UCA	40090	KAL
24	4.80	320	1.54	1.43	18.00	30	KRYPTON	VDA	48032	KA	VAC	48032	KA	UDA	48032	KA	UCA	48032	KA	UDA	48032	KAL	UCA	48032	KAL
25	4.80	520	2.50	2.63	33.00	20	KRYPTON	VDA	48052	KA	VAC	48052	KA	UDA	48052	KA	UCA	48052	KA	UDA	48052	KAL	UCA	48052	KAL
26	4.80	650	3.12	3.50	44.00	20	KRYPTON	VDA	48065	KA	VAC	48065	KA	UDA	48065	KA	UCA	48065	KA	UDA	48065	KAL	UCA	48065	KAL
27	4.80	750	3.60	4.62	58.00	15	KRYPTON	VDA	48075	KA	VAC	48075	KA	UDA	48075	KA	UCA	48075	KA	UDA	48075	KAL	UCA	48075	KAL
28	5.40	540	2.92	2.95	37.00	15	KRYPTON	VDA	54054	KA	VAC	54054	KA	UDA	54054	KA	UCA	54054	KA	UDA	54054	KAL	UCA	54054	KAL
29	6.00	340	2.00	1.75	22.00	100	KRYPTON	VDA	60034	KA	VAC	60034	KA	UDA	60034	KA	UCA	60034	KA	UDA	60034	KAL	UCA	60034	KAL
30	6.00	420	2.40	2.45	31.00	100	KRYPTON	VDA	60042	KA	VAC	60042	KA	UDA	60042	KA	UCA	60042	KA	UDA	60042	KAL	UCA	60042	KAL
31	6.00	500	3.00	3.34	42.00	60	KRYPTON	VDA	60050	KA	VAC	60050	KA	UDA	60050	KA	UCA	60050	KA	UDA	60050	KAL	UCA	60050	KAL
32	7.20	550	3.96	5.18	65.00	20	KRYPTON	VDA	72055	KA	VAC	72055	KA	UDA	72055	KA	UCA	72055	KA	UDA	72055	KAL	UCA	72055	KAL
33	2.40	850	2.04	1.75	22.00	15	XENON	VDA	24085	XA	VAC	24085	XA	UDA	24085	XA	UCA	24085	XA	UDA	24085	XAL	UCA	24085	XAL
34	2.40	1350	3.24	2.79	35.00	15	XENON	VDA	24135	XA	VAC	24135	XA	UDA	24135	XA	UCA	24135	XA	UDA	24135	XAL	UCA	24135	XAL
35	3.60	910	3.28	3.74	47.00	20	XENON	VDA	36091	XA	VAC	36091	XA	UDA	36091	XA	UCA	36091	XA	UDA	36091	XAL	UCA	36091	XAL
36	4.80	720	3.36	4.62	58.00	15	XENON	VDA	48072	XA	VAC	48072	XA	UDA	48072	XA	UCA	48072	XA	UDA	48072	XAL	UCA	48072	XAL
37	7.20	700	5.04	7.56	95.00	15	XENON	VDA	72070	XA	VAC	72070	XA	UDA	72070	XA	UCA	72070	XA	UDA	72070	XAL	UCA	72070	XAL
38	7.20	750	5.40	7.96	100.00	15	XENON	VDA	72075	XA	VAC	72075	XA	UDA	72075	XA	UCA	72075	XA	UDA	72075	XAL	UCA	72075	XAL
39	9.80	520	5.10	7.40	93.00	15	XENON	VDA	98052	XA	VAC	98052	XA	UDA	98052	XA	UCA	98052	XA	UDA	98052	XAL	UCA	98052	XAL