



# SOLITRONICS ENGINEERING LTD.

TEL: (852)-2730-8145

FAX: (852)-2730-3245

E-mail: info@solitronics.com

## SUB-MINIATURE LAMP SPECIFICATIONS

Date: 1<sup>ST</sup> February 2001

### T-3/4 (T-2.4Ømm) & T-7/8 (T-2.8Ømm)

Data Sheet No.

**SEL-SS-1000**

Wire Terminal	Bi-pin (1.27mm)	Sub-Midget Flanged (USA)	Sub-Midget Flanged (EU) MM3s/6	Wire Terminal	Sub-Midget Flanged (EU) SM3s/6
<p><b>T-3/4</b> Fig. A</p>	<p><b>T-3/4</b> Fig. B</p>	<p><b>T-3/4</b> Fig. C</p>	<p><b>T-3/4</b> Fig. D</p>	<p><b>T-7/8</b> Fig. E</p>	<p><b>T-7/8</b> Fig. F</p>

Note: All dimensions in mm.

	Volts (V)	AMPS (mA)	MSCP	Avg. Life (hrs.)	Filament Shape	T-3/4 Fig. A WT	T-3/4 Fig. B Bi-pin	T-3/4 Fig. C SMF	T-3/4 Fig. D MM3s/6	T-7/8 Fig. E WT	T-7/8 Fig. F SMF3s/6
1	1.15	90	0.003	5,000	C-2R	8712	7110	7120			
2	1.35	60	0.006	500	C-2R	3629					
3	1.50	90	0.003	5,000	C-2R	7100	7810	3810			
4	2.0	50	0.030	1,000	C-2R						
5	2.5	110	0.010	10,000	C-2R	8534	7111	7121			
6	4.5	21	0.017	5,000	C-2R	30					
7	4.5	22	0.018	5,000	C-2R	3102					
8	5.0	15	0.020	1,000	C-2R	8537	7538	8538		2709	2710
9	5.0	20	0.015	7,000	C-2R						
10	5.0	21	0.030	10,000	C-2R	2	7112	7122			
11	5.0	30	0.030	16,000	C-2R	OL-2426	OL-2427				
12	5.0	40	0.025	50,000	C-2R	OL-2415	OL-2416				
13	5.0	60	0.030	60,000	C-2R	6803	7113	8587		2700	2702
14	5.0	60	0.034	50,000	C-2R						
15	5.0	60	0.050	25,000	C-2R	6833	7114	8913		2703	2704
16	5.0	60	0.150	3,000	C-2R	6153	7115	6183		2725	2726
17	5.0	75	0.090	25,000	C-2R	7133	7116	8828		2705	2706
18	5.0	80	0.150	15,000	C-2R	8666	7117	8383			
19	5.0	115	0.150	40,000	C-2R	7153	7118	8270		2707	2708
20	5.0	115	0.200	5,000	C-2R	7102	7119	7123			
21	6.0	50	0.030	80,000	C-2R						
22	6.0	60	0.050	80,000	C-2R						
23	8.0	50	0.060	40,000	C-2V						
24	* 9.0	30	0.050	8,000	C-2V						
25	* 10.0	15	0.020	60,000	C-2V						
26	* 10.0	30	0.050	3,000	CC-2V						
27	* 10.0	50	0.080	12,000	C-2V						
28	* 12.0	30	0.030	16,000	C-2F						
29	* 12.0	50	0.070	16,000	C-2V						
30	* 12.0	50	0.120	10,000	C-2F						
31	* 12.0	60	0.150	16,000	C-2F					OL-2733	
32	* 14.0	30	0.018	16,000	C-2F						
33	* 14.0	40	0.130	16,000	C-2F						
34	* 14.0	40	0.150	16,000	C-2F					OL-2711	
35	* 14.0	50	0.125	3,000	CC-2V						
36	* 16.0	20	0.040	8,000	CC-2V						
37	* 16.0	30	0.020	16,000	CC-2V						
38	* 16.0	30	0.035	12,000	CC-2V						
39	* 16.0	30	0.050	10,000	CC-2V						
40	* 16.0	30	0.100	3,000	CC-2V						
41	* 18.0	30	0.120	10,000	CC-2F						
42	* 24.0	15	0.020	10,000	CC-2F						
43	* 24.0	20	0.035	10,000	CC-2F						
44	* 28.0	20	0.050	10,000	CC-2F						
45	* 28.0	20	0.075	7,000	CC-2F						

\* Length: 7.0 ± 0.5 mm



# SOLITRONICS ENGINEERING LTD.

TEL: (852)-2730-8145

FAX: (852)-2730-3245

E-mail: [info@solitronics.com](mailto:info@solitronics.com)

## SUB-MINIATURE LAMP SPECIFICATIONS

Date: 3<sup>rd</sup> February, 2001

### T-1 Micro Glass Bi-Pin lamp bulbs for Micro-Torch Lights

Data Sheet:

**SEL-SS-1001A**

Note: All dimensions in mm

T-1 Micro Bi-pin Micro-Torch Bulbs								
	Voltage (V)	Current (mA)	MSCP	LCL (mm)	Average Life	Fig. 1 3.0 $\varnothing$ ±0.2mm x 7.4±0.4mm	Fig. 2 3.0 $\varnothing$ ±0.2 x 7.4±0.4mm	Fig. 3 3.0 $\varnothing$ ±0.2mm x7.4±0.4mm
1	1.2	300	0.095±25%	6.2±0.2	12 Hrs	T-1 GBP-1.2V300mA# 753	699 637	
2	1.25	220	0.05 – 0.07	5.08	20 Hrs			
3	1.5	200		6 – 8	5-10 Hrs			
4	2.3	125	0.13 – 0.17	7.11	20 Hrs			
5	2.3	300	0.33 – 0.40	7.11	20 Hrs			
6	2.4	350		6 – 8	5-10 Hrs			
7	2.5	300		6 – 8	5-10 Hrs			
8	2.5	350	0.60±25%	6.2±0.2	12 Hrs			

# = Recommended type



# SOLITRONICS ENGINEERING LTD.

TEL: (852)-2730-8145

FAX: (852)-2730-3245

E-mail: [info@solitronics.com](mailto:info@solitronics.com)

## SUB-MINIATURE LAMP SPECIFICATIONS

Date: 3<sup>rd</sup> February, 2001

### T-1 (T-3.17ømm) Sub-miniature Lamps

Data Sheet:

**SEL-SS-1001**

Wire Terminal Standard	Bi-Pin Standard	Bi-Pin E-Type	Midget Flanged SM4s/4	Glass Bi-Pin Pin Space 1.27	Glass Bi-Pin Pin Space 2.54
Fig. A	Fig. B	Fig. C	Fig. D	Fig. E	Fig. F

\* All dimensions in mm.

	Volts (V)	AMPS (A)	MSCP	Avg. Life (Hrs.)	Filament Shape	WT Fig. A	BP(S) Fig. B	BP(E) Fig. C	SM4s/6 Fig. D	BP1.27 Fig. E	BPE2.54 Fig. F
1	1.25	0.012	0.004	1,000	C-6	8797	7252	7252BPE	7244	7252GPE	7252GBPE
2	1.35	0.220	0.020	25,000	C-2R	8910	7253	7253BPE	7245	7253GPE	7253GBPE
3	1.5	0.075	0.030	16,000	C-2R	7203	7255	7255BPE	8102	7255GPE	7255GBPE
4	2.25	0.300	0.450	20	C-2R						
5	2.5	0.015	0.001	10,000	C-2R	8601	7256	7256BPE	7246	7256GPE	7256GBPE
6	2.5	0.100	0.100	10,000	C-2R	8732	7732	7732BPE	7247	7732GPE	7732GBPE
7	2.5	0.320	0.210	5,000	C-2R	8711	7257	7257BPE	7248	7257GPE	7257GBPE
8	3.0	0.008	0.001	16,000	C-2R	8846	7258	7258BPE	7249	7258GPE	7258GBPE
9	3.0	0.013	0.001	16,000	C-2R	2128	7259	7259BPE	679	7259GPE	7259GBPE
10	3.0	0.015	0.020	5,000	C-2R	7205					
11	3.0	0.040	0.030	10,000	C-2R						
12	3.0	0.060	0.030	100,000	C-2R	7207	7260	7260BPE	7231	7260GPE	7260GBPE
13	3.0	0.120	0.150	10,000	C-2R	7208	7261	7261BPE	7232	7261GPE	7261GBPE
14	5.0	0.015	0.002	25,000	C-2V						
15	5.0	0.017	0.005	10,000	C-2R	8602	7262	7262BPE	8605	7262GPE	7262GBPE
16	5.0	0.021	0.034	10,000	C-2R	6022	7022	7022BPE	8022	7022GPE	7022GBPE
17	5.0	0.030	0.030	75,000	C-2R	7210	7263	7263BPE	7234	7263GPE	7263GBPE
18	5.0	0.040	0.025	50,000	C-2R						
19	5.0	0.045	0.040	10,000	C-2R	8729	7264	7264BPE	7250	7264GPE	7264GBPE
20	5.0	0.060	0.030	100,000	C-2R	680	7680	7680BPE	682	7680GPE	7680GBPE
21	5.0	0.060	0.050	100,000	C-2R	683	7683	7683BPE	685	7683GPE	7683GBPE
22	5.0	0.060	0.150	5,000	C-2R	6150	7265	7265BPE	6180	7265GPE	7265GBPE
23	5.0	0.075	0.090	25,000	C-2R	713	7714	7714BPE	714	7714GPE	7714GBPE
24	5.0	0.080	0.160	3,000	C-2R	7211	7266	7266BPE	7235	7266GPE	7266GBPE
25	5.0	0.115	0.150	40,000	C-2R	715	7715	7715BPE	718	7715GPE	7715GBPE
26	5.0	0.115	0.200	5,000	C-2R	7213					
27	5.0	0.125	0.220	5,000	C-2R	7216	7268	7268BPE	7239	7268GPE	7268GBPE
28	6.0	0.040	0.060	16,000	C-2R						
29	6.0	0.060	0.130	3,000	C-2R						
30	6.0	0.080	0.120	10,000	C-2R						
31	8.0	0.060	0.120	10,000	C-2F						
32	9.0	0.030	0.450	1,000	C-2V						
33	10.0	0.027	0.100	10,000	C-2F	7218	8095	8095BPE	7240	8095GPE	8095GBPE
34	12.0	0.030	0.055	16,000	C-2F						
35	12.0	0.030	0.100	10,000	C-2F						
36	12.0	0.050	0.120	5,000	C-2F						
37	12.0	0.060	0.150	16,000	C-2F						
38	12.0	0.060	0.150	16,000	C-2F	7219	8097	8097BPE	32	8097GPE	8097GBPE
39	14.0	0.040	0.120	16,000	C-2F	23					
40	14.0	0.065	0.150	16,000	C-2F	8111	8098	8098BPE	8112	8098GPE	8098GBPE
41	16.0	0.030	0.090	10,000	C-2F						
42	18.0	0.026	0.150	16,000	C-2F	7220	8099	8099BPE	7241	8099GPE	8099GBPE
43	24.0	0.020	0.050	25,000	CC-2F						
44	28.0	0.024	0.150	16,000	CC-2F						
45	28.0	0.040	0.340	10,000	CC-2F	6838	7839	7839BPE	6839	7839GPE	7839GBPE



# SOLITRONICS ENGINEERING LTD.

TEL: (852)-2730-8145

FAX: (852)-2730-3245

E-mail: [info@solitronics.com](mailto:info@solitronics.com)

## SUB-MINIATURE LAMP SPECIFICATIONS

Date: 3<sup>rd</sup> February 2001

### T-1¼ (T-4.2ømm) Sub-miniature Lamps

Data Sheet:

**SEL-SS-1002**

Wire Terminal Standard	Bi-Pin Standard Pin Space (2.54)	Midget Flanged European SM5s/8	Midget Flanged American SMF5s/8	Special Screw	Knurled Screw
Fig. A	Fig. B	Fig. C	Fig. D	Fig. E	Fig. F

\*All dimensions in mm.

	Volts (V)	AMPS (A)	MSCP	Avg. Life (Hrs.)	Filament Shape	WT Fig. A	BP(S) Fig. B	SM5s/8 Fig. C	SMF5s/8 Fig. D	SS Fig. E	KS Fig. F
1	1.3	0.030	0.006	100	S-2	2135		7302		7303	
2	1.35	0.060	0.006	500	C-2R	8631		8636		8641	
3	1.5	0.075	0.030	1,000	C-2R						
4	2.5	0.100	0.100	1,000	C-2R						
5	2.5	0.320	0.210	5,000	C-2R						
6	2.5	0.400	0.550	30	C-2R	8655		8656		329	
7	3.0	0.190	0.250	350	C-2R	324		8637		325	
8	5.0	0.060	0.030	100,000	C-2R	580		3582		3580	
9	5.0	0.060	0.050	100,000	C-2R	583		3585		3583	
10	5.0	0.060	0.150	5,000	C-2R						
11	5.0	0.075	0.090	40,000	C-2R	4025					
12	5.0	0.115	0.150	40,000	C-2R	515		3518		3515	
13	6.0	0.030	0.035	16,000	C-2R						
14	6.0	0.040	0.055	16,000	C-2R						
15	6.0	0.060	0.130	3,000	C-2R	2114		8541		371	
16	6.0	0.100	0.200	5,000	C-2R						
17	6.0	0.120	0.200	20,000	C-2R						
18	6.0	0.200	0.630	1,000	C-2R	634		8628		8645	
19	6.3	0.200	0.550	5,000	C-2R	8610		8551		8552	
20	8.0	0.060	0.080	10,000	C-2F						
21	9.0	0.040	0.075	10,000	C-2V						
22	9.0	0.060	0.090	10,000	C-2F						
23	10.0	0.014	0.004	50,000	C-2F						
24	10.0	0.070	0.140	10,000	C-2F						
25	12.0	0.040	0.040	25,000	C-2F						
26	12.0	0.040	0.120	10,000	C-2V						
27	12.0	0.050	0.110	16,000	C-2F						
28	12.0	0.060	0.150	16,000	C-2F	4145					
29	12.0	0.080	0.230	20,000	C-2F						
30	14.0	0.040	0.120	16,000	C-2F	4170					
31	14.0	0.065	0.180	20,000	C-2F						
32	14.0	0.080	0.300	50,000	C-2F	4204					
33	14.0	0.080	0.500	1,500	C-2F	8640		8646		8644	
34	14.0	0.100	0.500	10,000	C-2F	4201					
35	16.0	0.030	0.034	25,000	C-2F						
36	18.0	0.026	0.150	16,000	C-2F						
37	24.0	0.040	0.170	15,000	C-2F						
38	24.0	0.050	0.220	10,000	C-2F						
39	28.0	0.020	0.100	7,000	CC-2F						
40	28.0	0.024	0.150	10,000	C-2F						
41	28.0	0.040	0.020	50,000	C-2F						
42	28.0	0.040	0.300	25,000	C-2F	4043					
43	28.0	0.040	0.320	15,000	C-2F	8627		8632		8635	
44	28.0	0.040	0.340	7,000	C-2F						



# SOLITRONICS ENGINEERING LTD.

TEL: (852)-2730-8145

FAX: (852)-2730-3245

E-mail: [info@solitronics.com](mailto:info@solitronics.com)

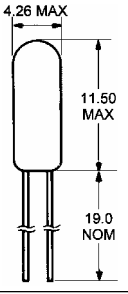
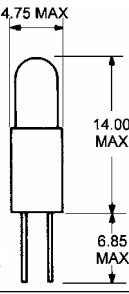
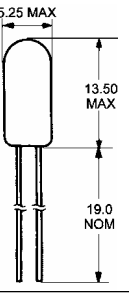
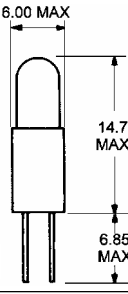
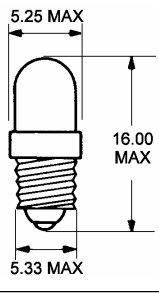
## SUB-MINIATURE LAMP SPECIFICATIONS

Date: 3<sup>rd</sup> February, 2001

### T-1¼ & T-1½ Sub-miniature Lamps (UK Type)

Data Sheet:

**SEL-SS-1003**

Wire Terminal Standard	Bi-Pin Standard Pin Space (2.54)	Wire Terminal Standard	Bi-Pin Standard Pin Space (3.17)	Midget Screw E5/8	
 <p>T-1¼</p> <p>Fig. A</p>	 <p>T-1¼</p> <p>Fig. B</p>	 <p>T-1½</p> <p>Fig. C</p>	 <p>T-1½</p> <p>Fig. D</p>	 <p>T-1½</p> <p>Fig. E</p>	Fig. F

\*Note: All dimensions are in mm

	Volts (V)	AMPS (A)	MSCP	Avg. Life (hrs.)	Filament Shape	T-1¼ WT Fig. A	T-1¼ BP(S) Fig. B	T-1½ WT Fig. C	T-1½ BP(S) Fig. D	T-1½ E5/8 Fig. E	
1	1.5	0.075	0.040	30	S-2			(655WT)		655	
2	1.5	0.110	0.020	1,000	C-2R					663	
3	2.5	0.200	0.220	500	C-2R					CM1769	
4	2.5	0.300	0.200	1,000	C-2R					661	
5	3.0	0.190	0.250	350	C-2R	324BS					
6	4.5	0.060	0.060	2,000	C-2R					670	
7	5.0	0.025	0.024	1,000	C-2R						
8	5.0	0.060	0.050	25,000	C-2R	583BS	1093BP				
9	5.0	0.115	0.150	40,000	C-2R	515BS	CM7583				
10	6.0	0.040	0.030	1,000	C-2V	8661BS					
11	6.0	0.040	0.040	10,000	C-2R			(697WT)		697	
12	6.0	0.055	0.080	10,000	C-2R			(673WT)	673BP	673	
13	6.0	0.060	0.130	3,000	C-2R	2114BS	CM7309				
14	6.0	0.200	0.630	1,000	C-2R	634BS	CM7628			CM1768	
15	6.3	0.200	0.400	10,000	C-2R					CM378	
16	6.3	0.200	0.550	5,000	C-2R		CM7310				
17	6.5	0.150	0.320	2,500	C-2V			(674WT)		674	
18	8.0	0.150	0.280	5,000	C-2V					676	
19	12.0	0.030	0.060	3,000	C-2V		747BP				
20	12.0	0.040	0.120	5,000	C-2F	757BS					
21	12.0	0.050	0.120	5,000	C-2F		1090BP				
22	12.0	0.080	0.360	1,000	C-2V	754BS	754BP				
23	12.0	0.083	0.190	10,000	C-2V			(679WT)	679BP	679	
24	12.0	0.127	0.420	5,000	C-2F			(280WT)		280	
25	14.0	0.037	0.160	5,000	C-2F	766BS		(690WT)	690BP	690	
26	14.0	0.050	0.240	1,000	C-2F			(5682WT)		5682	
27	14.0	0.065	0.160	20,000	C-2F	1153BS				1169	
28	14.0	0.080	0.300	10,000	C-2F	640BS				CM8362	
29	14.0	0.080	0.500	1,000	C-2F	8640BS	CM7646			CM373	
30	18.0	0.026	0.120	2,000	C-2F		1098BP				
31	18.0	0.040	0.150	10,000	C-2F			(684WT)		684	
32	24.0	0.035	0.130	10,000	C-2F	770BS					
33	24.0	0.035	0.150	7,500	C-2F		1091BP				
34	24.0	0.040	0.240	7,000	C-2F			(687WT)		687	
35	28.0	0.024	0.150	2,500	C-2F	768BS	1092BP				
36	28.0	0.040	0.300	7,000	C-2F			(CM399WT)		CM399	
37	28.0	0.040	0.320	1,000	C-2F	8627BS	CM7632				
38	28.0	0.040	0.340	4,000	C-2F					CM335	
39	28.0	0.040	0.360	4,000	C-2F			(688WT)	688BP	688	
40											
41											
42											
43											
44											
45											



# SOLITRONICS ENGINEERING LTD.

TEL: (852) 2730-8145

FAX: (852) 2730-3245

E-mail: [info@solitronics.com](mailto:info@solitronics.com)

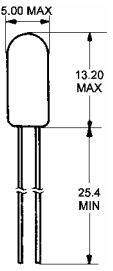
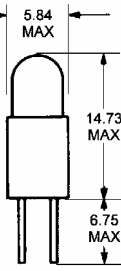
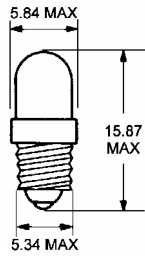
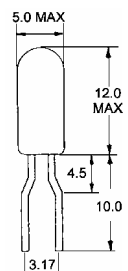
## SUB-MINIATURE LAMP SPECIFICATIONS

Date: 3<sup>rd</sup> February, 2001

### T-1½ (T- 4.8ømm) Sub-miniature Lamps

Data Sheet:

**SEL-SS-1004**

Wire Terminal Standard	Bi-Pin Standard Pin Space (3.17)	Midget Screw E5/8	Glass Bi-Pin Pin Space (3.17)		
				Fig. E	Fig. F

\*Note: All dimensions are in mm.

	Volts (V)	AMPS (A)	MSCP	Avg. Life (Hrs.)	Filament Shape	WT Fig. A	BP(S) Fig. B	MS Fig. C	GBP(3.17) Fig. D		
1	1.3	0.030	0.006	100	S-2						
2	1.35	0.060	0.006	500	C-2R						
3	1.5	0.075	0.030	1,000	C-2R						
4	2.5	0.100	0.100	1,000	C-2R						
5	2.5	0.320	0.210	5,000	C-2R						
6	2.5	0.400	0.550	30	C-2R						
7	3.0	0.190	0.250	350	C-2R						
8	5.0	0.060	0.030	100,000	C-2R						
9	5.0	0.060	0.050	100,000	C-2R						
10	5.0	0.060	0.150	5,000	C-2R						
11	5.0	0.075	0.090	40,000	C-2R						
12	5.0	0.115	0.150	40,000	C-2R						
13	6.0	0.030	0.035	16,000	C-2R						
14	6.0	0.040	0.055	16,000	C-2R						
15	6.0	0.060	0.130	3,000	C-2R						
16	6.0	0.100	0.200	5,000	C-2R						
17	6.0	0.120	0.200	20,000	C-2R						
18	6.0	0.200	0.630	1,000	C-2R						
19	6.3	0.200	0.550	5,000	C-2R						
20	8.0	0.060	0.080	10,000	C-2F						
21	9.0	0.040	0.075	10,000	C-2V						
22	9.0	0.060	0.090	10,000	C-2F						
23	10.0	0.014	0.004	50,000	C-2F						
24	10.0	0.070	0.140	10,000	C-2F						
25	12.0	0.040	0.040	25,000	C-2F						
26	12.0	0.040	0.120	10,000	C-2V						
27	12.0	0.050	0.110	16,000	C-2F						
28	12.0	0.060	0.150	16,000	C-2F						
29	12.0	0.080	0.230	20,000	C-2F						
30	14.0	0.040	0.120	16,000	C-2F						
31	14.0	0.065	0.180	20,000	C-2F						
32	14.0	0.080	0.300	50,000	C-2F						
33	14.0	0.080	0.500	1,500	C-2F						
34	14.0	0.100	0.500	10,000	C-2F						
35	16.0	0.030	0.034	25,000	C-2F						
36	18.0	0.026	0.150	16,000	C-2F						
37	24.0	0.040	0.170	15,000	C-2F						
38	24.0	0.050	0.220	10,000	C-2F						
39	28.0	0.020	0.100	7,000	CC-2F						
40	28.0	0.024	0.150	10,000	C-2F						
41	28.0	0.040	0.020	50,000	C-2F						
42	28.0	0.040	0.300	25,000	C-2F						
43	28.0	0.040	0.320	15,000	C-2F						
44	28.0	0.040	0.340	7,000	C-2F						



# SOLITRONICS ENGINEERING LTD.

TEL:(852)-2730-8145

FAX:(852)-2730-3245

E-mail: [info@solitronics.com](mailto:info@solitronics.com)

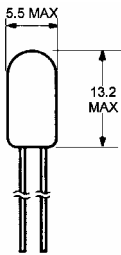
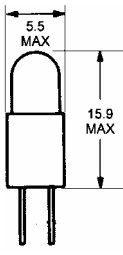
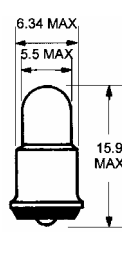
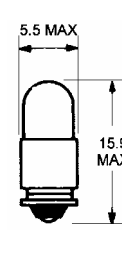
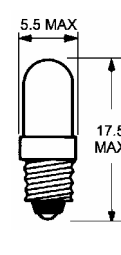
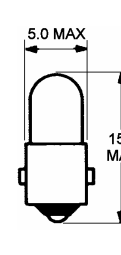
## SUB-MINIATURE LAMP SPECIFICATIONS

Date: 3<sup>rd</sup> February 2001

### T-1 $\frac{3}{4}$ (T-5.3 $\varnothing$ mm) Sub-miniature Lamps

Data Sheet:

**SEL-SS-1005**

Wire Terminal Standard	Bi-Pin Standard	Midget Flanged MF6s/8	Midget Grooved MG5.7s/9	Midget Screw E5/8.5	Midget Bayonet BA5s
					
Fig. A	Fig. B	Fig. C	Fig. D	Fig. E	Fig. F

\* All dimensions in mm.

	Volts (V)	AMPS (A)	MSCP	Avg. Life (Hrs.)	Filament Shape	WT Fig. A	BP(S) Fig. B	MF6s/8 Fig. C	MG5.7s/9 Fig. D	E5/8.5 Fig. E	BA5s Fig. F
1	2.5	0.200	0.220	500	C-2R	1783		368		1767	
2	2.5	0.350	0.200	20,000	C-2R	2169	7868	268	266	7312	
3	2.7	0.060	0.040	6,000	C-2R	1738	7838	338			
4	3.0	0.015	0.003	10,000	C-6	2158	7375	375			
5	3.0	0.300	0.340	1,500	C-2R	2129	2304				
6	5.0	0.020	0.020	50,000	C-2V						
7	5.0	0.060	0.030	200,000	C-2R	8805	7360	7332	7346		
8	5.0	0.060	0.050	100,000	C-2R	2200	7361	7333	7347	7318	
9	5.0	0.060	0.150	5,000	C-2R	3151	3149	3150	3152		
10	5.0	0.115	0.150	40,000	C-2R	2203	7362	7335	7348	7319	
11	6.0	0.040	0.055	10,000	C-2R	1730	7945	345	8705	342	
12	6.0	0.200	0.600	1,000	C-2R	1784	7328	328	337	1768	
13	6.3	0.040	0.030	20,000	C-2V	2180	7380	380	7351	7320	
14	6.3	0.075	0.230	1,000	C-2R	1739	7377	377	8708	1775	
15	6.3	0.150	0.450	3,000	C-2R	8350	7368	350			
16	6.3	0.200	0.400	20,000	C-2F	2181	7381	381	379	378	
17	6.3	0.200	0.550	5,000	C-2R	2112	7349	349	398	7323	
18	7.5	0.220	0.900	1,000	C-2R						
19	8.0	0.085	0.150	25,000	C-2F	2178					
20	10.0	0.014	0.004	50,000	C-2V	1869	7344	344	709	8692	
21	10.0	0.040	0.080	5,000	C-2F	2107	7367	367	397	389	
22	11.0	0.022	0.030	10,000	C-2F	8946	7369				
23	12.0	0.040	0.120	10,000	C-2F	2174	7371	394	7354	7326	
24	14.0	0.040	0.120	16,000	C-2F	6543	6547				
25	14.0	0.080	0.300	50,000	C-2F	2182	7382	382	386	8362	
26	14.0	0.080	0.500	1,500	C-2F	1705	7330	330	336	383	
27	14.0	0.090	0.500	3,000	C-2F						
28	14.0	0.100	0.500	10,000	C-2F	2162	7373	8918	393	8162	
29	14.0	0.100	0.720	1,000	C-2F						
30	14.0	0.140	0.680	10,000	C-2F						
31	18.0	0.040	0.150	10,000	C-2F	2102	7370	370	346	8536	
32	22.0	0.040	0.300	2,000	C-2F	8425	7459	459	457	8437	
33	24.0	0.042	0.240	4,000	C-2F						
34	24.0	0.050	0.500	1,000	C-2F	2176	7001	8176			
35	28.0	0.024	0.150	16,000	C-2F						
36	28.0	0.040	0.200	50,000	C-2F	2185	7374	385	7355		
37	28.0	0.040	0.300	25,000	C-2F	2187	7387	387	388	399	
38	28.0	0.040	0.340	7,000	C-2F	1764	7327	327	334	369	
39	28.0	0.060	0.340	25,000	C-2F	1749	7876	376	(334LSV)		
40	28.0	0.065	0.650	5,000	C-2F	8361	7376	7341	7356		
41	28.0	0.066	0.850	10,000	C-2F	2866					
42	32.0	0.040	0.300	10,000	C-2F	1918		269			
43	36.0	0.030	0.220	1,000	C-2F						
44	48.0	0.025	0.200	5,000	CC-2F	6748					
45	60.0	0.020	0.150	5,000	CC-2F	6194	6195BP	6195	62011	6200	