



SOLITRONICS ENGINEERING LTD.

TEL: (852)-2730-8145

FAX: (852)-2730-3245

E-mail: info@solitronics.com

FESTOON & RIGID-LOOP BASE LAMPS

Date: 8th February, 2001

6øx28mm, 6øx31mm, 6øØx36mm, 6øx39mm
8øx28mm, 8øx31mm, 8øx36mm, 8øx39mm

Data Sheet:

SEL-SS-1011(1)

| | | | | | | | |
|----------|------------------|----------|------------------|----------|------------------|----------|------------------|
| A | T- 6 x 28 | B | T- 6 x 31 | C | T- 6 x 36 | D | T- 6 x 39 |
| | | | | | | | |
| E | T- 8 x 28 | F | T- 8 x 31 | G | T- 8 x 36 | H | T- 8 x 39 |
| | | | | | | | |

* Note: All dimensions in mm.

FESTOON LAMPS

| | Nomenclature | Volts (V) | AMPS (A) | MSCP | Lumen (mm) | Avg. Life (Hrs.) | Filament Shape | A | B | C | D | E | F | G | H |
|----|--------------|-----------|----------|-------|------------|------------------|----------------|---|---|---|---|---|---|---|---|
| 1 | 6V 3.0W | 7.0 | 0.410 | 2.00 | 25.0 | 500 | C-8 | | | | | | | | |
| 2 | 6V 5.0W | 6.75 | 0.740 | 3.00 | 38.0 | 1,000 | C-8 | | | | | | | | |
| 3 | 6V 5.0W | 7.0 | 0.630 | 3.00 | 38.0 | 1,000 | C-8 | | | | | | | | |
| 4 | 6V 8.0W | 6.5 | 1.230 | 7.56 | 95.0 | 300 | C-8 | | | | | | | | |
| 5 | 6V 10W | 6.5 | 1.540 | 9.55 | 120.0 | 300 | C-8 | | | | | | | | |
| 6 | 6V 15.0W | 6.75 | 2.220 | 16.72 | 210.0 | 100 | C-8 | | | | | | | | |
| 7 | 6V 18.0W | 7.0 | 2.571 | | | | C-8 | | | | | | | | |
| 8 | 12V 2.0W | 13.0 | 0.150 | 1.20 | 15.0 | 1,000 | C-8 | | | | | | | | |
| 9 | 12V 3.0W | 15.0 | 0.270 | 2.04 | 30.0 | 800 | C-8 | | | | | | | | |
| 10 | 12V 3.4W | 14.0 | 0.240 | 2.00 | 5.0 | 800 | C-8 | | | | | | | | |
| 11 | 12V 4.0W | 13.5 | 0.300 | 2.40 | 30.0 | 500 | C-8 | | | | | | | | |
| 12 | 12V 5.0W | 13.0 | 0.380 | 3.00 | 38.0 | 1,000 | C-8 | | | | | | | | |
| 13 | 12V 6.0W | 14.0 | 0.430 | 4.40 | 55.0 | 1,000 | C-8 | | | | | | | | |
| 14 | 12V 8.0W | 13.0 | 0.620 | 7.56 | 95.0 | 400 | C-8 | | | | | | | | |
| 15 | 12V 10.0W | 13.0 | 0.770 | 9.55 | 120.0 | 500 | C-8 | | | | | | | | |
| 16 | 12V 15.0W | 13.0 | 1.153 | 18.00 | 226.0 | 100 | C-8 | | | | | | | | |
| 17 | 12V 18.0W | 13.0 | 1.364 | | | | C-8 | | | | | | | | |
| 18 | 12V 20.0W | 13.0 | 1.540 | 21.50 | 270.0 | 600 | C-8 | | | | | | | | |
| 19 | 12V 21.0W | 13.0 | 1.615 | | | | C-8 | | | | | | | | |
| 20 | 24V 3.0W | 28.0 | 0.110 | 1.60 | 20.0 | 1,000 | CC-8 | | | | | | | | |
| 21 | 24V 5.0W | 28.0 | 0.180 | 3.00 | 38.0 | 1,000 | CC-8 | | | | | | | | |
| 22 | 24V 8.0W | 28.0 | 0.290 | 5.18 | 65.0 | 1,000 | CC-8 | | | | | | | | |
| 23 | 24V 10.0W | 28.0 | 0.370 | 6.40 | 80.0 | 1,000 | CC-8 | | | | | | | | |
| 24 | 24V 12.0W | 28.0 | 0.430 | 8.80 | 110.0 | 500 | C-8 | | | | | | | | |
| 25 | 24V 15.0W | 28.0 | 0.535 | 15.00 | 190.0 | 100 | CC-8 | | | | | | | | |
| 26 | 24V 18.0W | 24.0 | 0.750 | | | | | | | | | | | | |
| 27 | 24V 20.0W | 28.0 | 0.714 | 15.00 | 190.0 | 80 | CC-8 | | | | | | | | |
| 28 | 24V 20.0W | 28.0 | 0.720 | 20.00 | 250.0 | 100 | C-8 | | | | | | | | |
| 29 | 24V 21.0W | 28.0 | 0.750 | | | | C-8 | | | | | | | | |
| 30 | 48V 5.0W | 48.0 | 0.104 | 1.80 | 22.6 | 10,000 | CC-8 | | | | | | | | |
| 31 | 60V 5.0W | 60.0 | 0.083 | 4.00 | 50.0 | 100 | CC-8 | | | | | | | | |
| 32 | 60V 10.0W | 60.0 | 0.167 | 9.00 | 113.0 | 100 | CC-8 | | | | | | | | |



SOLITRONICS ENGINEERING LTD.

TEL: (852)-2730-8145

FAX: (852)-2730-3245

E-mail: info@solitronics.com

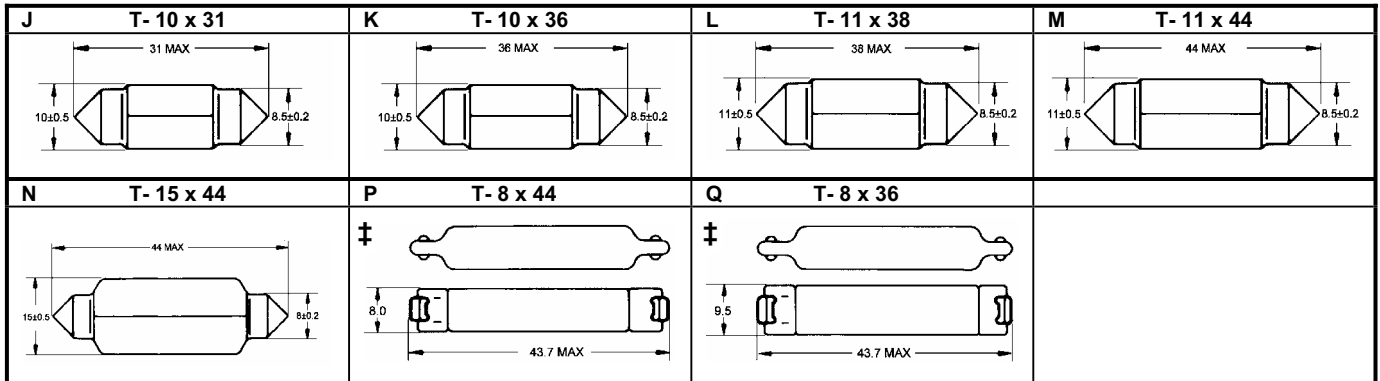
FESTOON & RIGID-LOOP BASE LAMPS

Date: 8th July 23, 2005

10Øx31mm, 10Øx36mm, 11Øx38mm, 11Øx44mm
15Øx44mm, 8Øx44mm, 8Øx36mm

Data Sheet:

SEL-SS-1011(2)



* Note: All dimensions in mm. ‡ Rigid-Loop Base Lamp

| Nomenclature | Volts (V) | AMPS (A) | MSCP | Lumen (mm) | Avg. Life (Hrs.) | Filament Shape | J | K | L | M | N | | |
|--------------|-----------|----------|------|------------|------------------|----------------|---|---|---|---|---|--|--|
|--------------|-----------|----------|------|------------|------------------|----------------|---|---|---|---|---|--|--|

FESTOON LAMPS

| | | | | | | | | | | | | | | |
|----|-----|-------|------|-------|-------|-------|--------|------|--|--|--|--|--|--|
| 1 | 6V | 3.0W | 7.0 | 0.410 | 2.00 | 25.0 | 500 | C-8 | | | | | | |
| 2 | 6V | 5.0W | 6.75 | 0.740 | 3.00 | 38.0 | 1,000 | C-8 | | | | | | |
| 3 | 6V | 5.0W | 7.0 | 0.630 | 3.00 | 38.0 | 1,000 | C-8 | | | | | | |
| 4 | 6V | 8.0W | 6.5 | 1.230 | 7.56 | 95.0 | 300 | C-8 | | | | | | |
| 5 | 6V | 10.0W | 6.5 | 1.540 | 9.55 | 120.0 | 300 | C-8 | | | | | | |
| 6 | 6V | 15.0W | 6.75 | 2.220 | 16.72 | 210.0 | 100 | C-8 | | | | | | |
| 7 | 6V | 18.0W | 6.75 | 2.670 | | | | C-8 | | | | | | |
| 8 | 12V | 2.0W | 13.0 | 0.150 | 1.20 | 15.0 | 1,000 | C-8 | | | | | | |
| 9 | 12V | 3.0W | 15.0 | 0.270 | 2.04 | 30.0 | 800 | C-8 | | | | | | |
| 10 | 12V | 3.4W | 14.0 | 0.240 | 2.00 | 5.0 | 800 | C-8 | | | | | | |
| 11 | 12V | 4.0W | 13.5 | 0.300 | 2.40 | 30.0 | 500 | C-8 | | | | | | |
| 12 | 12V | 5.0W | 13.0 | 0.380 | 3.00 | 38.0 | 1,000 | C-8 | | | | | | |
| 13 | 12V | 6.0W | 14.0 | 0.430 | 4.40 | 55.0 | 1,000 | C-8 | | | | | | |
| 14 | 12V | 8.0W | 13.0 | 0.620 | 7.56 | 95.0 | 400 | C-8 | | | | | | |
| 15 | 12V | 10.0W | 13.0 | 0.770 | 9.55 | 120.0 | 500 | C-8 | | | | | | |
| 16 | 12V | 15.0W | 13.0 | 1.153 | 18.00 | 226.0 | 100 | C-8 | | | | | | |
| 17 | 12V | 18.0W | 13.0 | 1.384 | | | | C-8 | | | | | | |
| 18 | 12V | 20.0W | 13.0 | 1.540 | 21.50 | 270.0 | 600 | C-8 | | | | | | |
| 19 | 12V | 21.0W | 13.0 | 1.615 | | | | C-8 | | | | | | |
| 20 | 24V | 3.0W | 28.0 | 0.110 | 1.60 | 20.0 | 1,000 | CC-8 | | | | | | |
| 21 | 24V | 5.0W | 28.0 | 0.180 | 3.00 | 38.0 | 1,000 | CC-8 | | | | | | |
| 22 | 24V | 8.0W | 28.0 | 0.290 | 5.18 | 65.0 | 1,000 | CC-8 | | | | | | |
| 23 | 24V | 10.0W | 28.0 | 0.370 | 6.40 | 80.0 | 1,000 | CC-8 | | | | | | |
| 24 | 24V | 12.0W | 28.0 | 0.430 | 8.80 | 110.0 | 500 | C-8 | | | | | | |
| 25 | 24V | 15.0W | 28.0 | 0.535 | 15.00 | 190.0 | 100 | CC-8 | | | | | | |
| 26 | 24V | 18.0W | 28.0 | 0.750 | | | | C-8 | | | | | | |
| 27 | 24V | 20.0W | 28.0 | 0.714 | 15.00 | 190.0 | 80 | CC-8 | | | | | | |
| 28 | 24V | 20.0W | 28.0 | 0.720 | 20.00 | 250.0 | 100 | C-8 | | | | | | |
| 29 | 24V | 21.0W | 28.0 | 0.750 | | | | C-8 | | | | | | |
| 30 | 48V | 5.0W | 48.0 | 0.104 | 1.80 | 22.6 | 10,000 | CC-8 | | | | | | |
| 31 | 60V | 5.0W | 60.0 | 0.083 | 4.00 | 50.0 | 100 | CC-8 | | | | | | |
| 32 | 60V | 10.0W | 60.0 | 0.167 | 9.00 | 113.0 | 100 | CC-8 | | | | | | |

RIGID LOOP LAMPS

| | | | | | | | | | REFERENCE | | P | Q |
|----|-------|-------|------|-------|-------|-------|-------|------|-----------|---------|---|---|
| 33 | 15V | 9.0W | 15.0 | 0.600 | 4.80 | 60.0 | 1,000 | C-8 | ARGON | | | |
| 34 | 13.5V | 5.0W | 13.5 | 0.370 | 4.00 | 50.0 | 3,000 | C-8 | XENON | | | |
| 35 | 12.4V | 8.5W | 12.4 | 0.685 | 6.00 | 75.0 | 2,000 | C-8 | XENON | | | |
| 36 | 13.5V | 10.0W | 13.5 | 0.740 | 10.00 | 125.6 | 3,000 | C-8 | XENON | | | |
| 37 | 26V | 5.0W | 26.0 | 0.192 | 4.00 | 50.0 | 4,000 | C-8 | XENON | | | |
| 38 | 26V | 10.0W | 26.0 | 0.385 | 10.00 | 125.6 | 3,000 | C-8 | XENON | | | |
| 39 | 14V | 6.2W | 14.0 | 0.440 | 2.00 | 25.0 | 2,000 | C-8 | # 584 | | | |
| 40 | 13.5V | 7.0W | 13.5 | 0.520 | 4.00 | 50.0 | 1,000 | C-8 | # 563 | | | |
| 41 | 13.5V | 10.0W | 13.5 | 0.740 | 6.00 | 75.0 | 2,000 | C-8 | # 562 | | | |
| 42 | 12.8V | 12.0W | 12.8 | 0.970 | 12.00 | 150.0 | 1,000 | CC-8 | # 561 | KRYPTON | | |