



SOLITRONICS ENGINEERING LTD.

TEL: (852) 2730-8145

FAX: (852) 2730-3245

E-mail: info@solitronics.com

High-Bright LED Signal lamp with Fresnel Ring Lens

Date: 26th August 1999

HIGH-VOLTAGE T-10x25mm LED BA9s For 130V AC & 240 V AC 50/60Hz

Data Sheet:

SEL-1025-2-LED-130-230V

1. PHYSICAL SIZE

Diameter: 10.0mm + 0 / -1.0mm

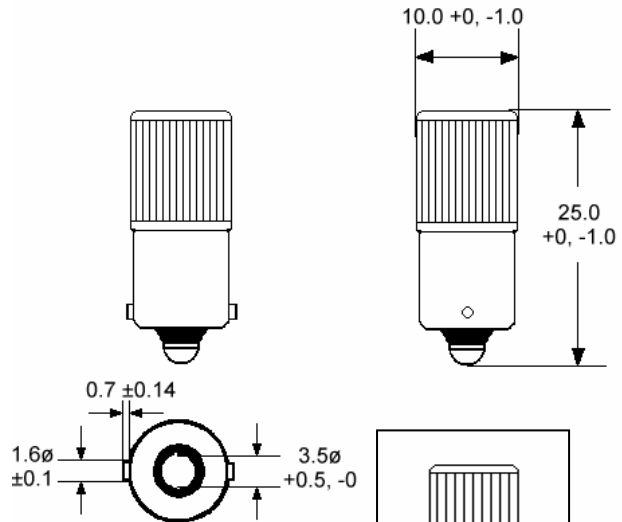
Length: 25.0mm + 0 / -1.5mm

2. BASE

Miniature Bayonet
Din 49712 BA9S

3. LAMP TYPE

High Brightness LED with internal series-resistor and with protection diode. for 130V AC only and 230V AC only.



4. ELECTRICAL RATING

SEL P/N	Voltage	Current	Color	Typical Brightness
1025-2R130	130V AC only	3mA AC	Super-Bright Red 660nm	378mcd
1025-2G130	130V AC only	3mA AC	#Super-Bright Green 525nm	405mcd
1025-2Y130	130V AC only	3mA AC	Super-Bright Yellow 586nm	360mcd
1025-2B130	130V AC only	3mA AC	#Super-Bright Blue 470nm	337mcd
1025-2W130	130V AC only	3mA AC	#Super-White 0.3x0.3y	150-450mcd
1025-2R240	240V AC only	2mA AC	Super-Bright Red 660nm	370mcd
1025-2G240	240V AC only	2mA AC	#Super-Bright Green 525nm	405mcd
1025-2Y240	240V AC only	2mA AC	Super-Bright Yellow 586nm	360mcd
1025-2B240	240V AC only	2mA AC	#Super-Bright Blue 470nm	337mcd
1025-2W240	240V AC only	2mA AC	#Super-Bright White 0.3x0.3y	150-450mcd

Remarks:

Indicates static-sensitive device and the use of 470K 1/6W bleeding resistor across lamp socket is recommended when used in environment where there is possibility of presence of static electricity.

On request, we can supply 470K 1/6W resistor for these lamps at no extra-charge

Due to continuous development, all specifications are subject to change without prior notice.