



SOLITRONICS ENGINEERING LTD.

TEL: (852) 2730-8145

FAX: (852) 2730-3245

E-mail: info@solitronics.com

SUPER HIGH BRIGHTNESS LED SIGNAL-LAMP

Date:

14th September 2002

**T-10x25mm BA9s Super-Bright LED Signal lamp
For 6-7V AC/DC, 12-15V AC/DC & 24V AC/DC**

Data Sheet:

SEL-1025-2-LED-6-24V

1. Features

Super High-Brightness LED Signal lamps
Shock-Resistant & High Reliability
Low-power consumption
Long Life-expectancy

2. Physical Size

Diameter: 10.0mm +0/-1.0mm
Length: 25.0mm +0/-1.5mm

3. Lamp Base

Miniature Bayonet
Din 49712 BA9S

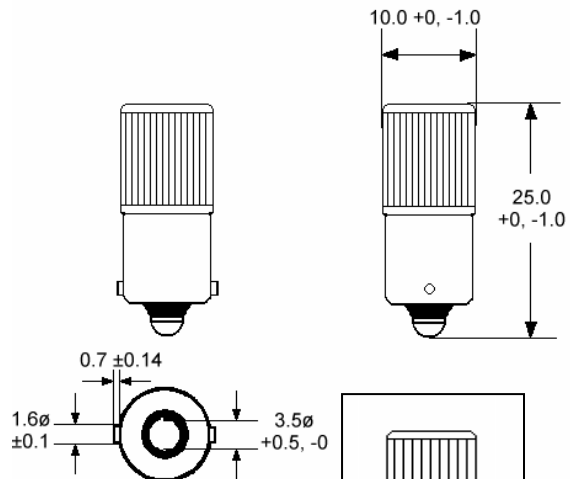
4. Lamp Type

High-brightness diode protected
LED signal lamp for AC/DC operation.
Polarization: Center-contact = + ve terminal.

5. Applications

For 22Ømm pilot light, lift-indicators, etc.

6. Electrical Rating



Center-contact must be connected to positive-terminal of DC supply.

Actual Size

Solitronics Engineering Ltd E-mail: info@solitronics.com

SEL P/N	Voltage	Current	Color Typical nm	Light Output	Remark
1025-2R06	6-7VAC/DC	8-15mA	Super-Red 660nm	1007-1180mcd	
1025-2Y06	6-7VAC/DC	8-15mA	Super-Yellow 586nm	960-1800mcd	
1025-2G06	6-7VAC/DC	8-15mA	Super-Green 520nm	810-1350mcd	
1025-2G06D	6-7VAC/DC	8-15mA	Diffused-Green 569nm	106-199mcd	
1025-2B06	6-7VAC/DC	8-15mA	Super-Blue 468nm	900-1687mcd	
1025-2W06	6-7VAC/DC	8-15mA	Super-White 0.3x0.3y	600-1125mcd	
1025-2R12	12-14V AC/DC	8-15mA	Super-Red 666nm	1007-1180mcd	
1025-2Y12	12-14V AC/DC	8-15mA	Super-Yellow 585nm	960-1800mcd	
1025-2G12	12-14V AC/DC	8-15mA	Super-Green 520nm	810-1350mcd	
1025-2G12D	12-14V AC/DC	8-15mA	Diffused-Green 569nm	106-199mcd	
1025-2B12	12-14V AC/DC	8-15mA	Super-Blue 468nm	900-1687mcd	
1025-2W12	12-14V AC/DC	8-15mA	Super-White 0.3nm	600-1125mcd	
1025-2R24	24-28V AC/DC	6-10mA	Super-Red 666nm	700-1250 mcd	
1025-2Y24	24-28V AC/DC	6-10mA	Super-Yellow nm	700 mcd	
1025-2G24	24-28V AC/DC	6-10mA	Super-Green nm	950 mcd	
1025-2G24D	24-28V AC/DC	6-10mA	Diffused-Green nm	260 mcd	
1025-2B24	24-28V AC/DC	6-10mA	Super-Blue nm	900 mcd	
1025-2W24	24-28V AC/DC	6-10mA	Super-White nm	450-750 mcd	

7. Remarks

Super-bright Green, Super-Bright Blue and Super-Bright White are sensitive to electrostatic electricity, a bleeding resistor of 470K across lamp holder is recommended in environments with possible presence of static electricity.
Due to continuous development, all specifications are subject to change without prior notice