



# SOLITRONICS ENGINEERING LTD.

TEL: (852) 2730-8145

FAX: (852) 2730-3245

E-mail: [info@solitronics.com](mailto:info@solitronics.com)

## PLASTIC LENS-END NEON SIGNAL LAMPS

Date:

18<sup>th</sup> July 2005

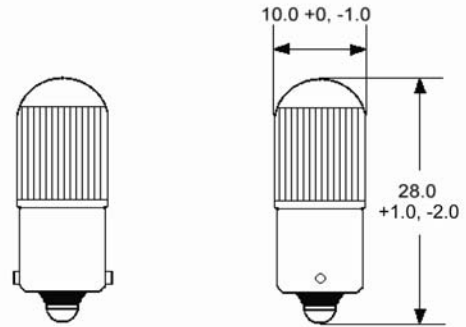
### T-10x28mm BA9s with Internal Resistor For 110/130V, 220/230V & 380/400V

Data Sheet:

**SEL-NPC-1028-X2-TM**

#### 1. PHYSICAL SIZE

Diameter: 10.0mm +0.0/-1.0mm  
Length: 28.0mm +1.0/-2.0mm



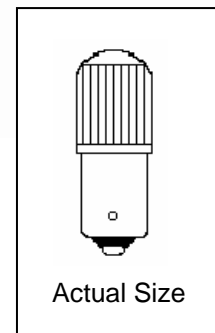
#### 2. BASE

Miniature Bayonet  
Din 49712 BA9S



#### 3. LAMP TYPE

Neon	For clear, amber, yellow and red lens
Green-Fluorescent	For clear and green translucent lens
Blue-Fluorescent	For clear and blue translucent lens



#### 4. ELECTRICAL RATING

SEL P/N	Equivalent Schneider P/N	Lamp Type	Voltage	Current ± 0.5mA	Design Life Expectancy
1028-12-N	DL1CS-7110AA	Neon	110/130V	2.0mA	10,000 hrs.
1028-12-G	DL1CS-3110AA	Green	110/130V	2.0mA	10,000 hrs.
1028-12-B	DL1CS-6110AA	Blue	110/130V	2.0mA	5,000 hrs.
1028-22-N	DL1CS-7220AA	Neon	220/230V	2.0mA	10,000 hrs.
1028-22-G	DL1CS-3220AA	Green	220/230V	2.0mA	10,000 hrs.
1028-22-B	DL1CS-6220AA	Blue	220/230V	2.0mA	5,000 hrs.
1028-32-N	DL1CS-7380AA	Neon	380/400V	1.5mA	10,000 hrs.
1028-32-G	DL1CS-3380AA	Green	380/400V	1.5mA	10,000 hrs.
1028-32-B	DL1CS-6380AA	Blue	380/400V	1.5mA	5,000 hrs.

#### 5. APPLICATIONS

For use in 22Ømm Lighted Push-button switches & Pilot-lights (Baco, Benedikt & Jager, Breter, Izumi, Lovato, Omron, Schneider-Telemecanique, etc.)

Available for use with Pilot Light with Red, Green, Amber or Blue colour Lens-cap.

#### 6. REMARKS:-

Also widely used as replacement lamps for indicators and lighted push-button switches of Japanese lifts (Fuji, Hitachi, Mitsubishi, etc.)

Note: Due to continuous development and improvements, all specifications are subject to change without prior notice.