



SOLITRONICS ENGINEERING LTD.

TEL: (852) 2730-8145

FAX: (852) 2730-3245

E-mail: info@solitronics.com

Integrated Neon-module with plastic-holder & PVC cable for indicators and electrical appliances

Date: **13th May, 2002**

Group

NRAP-V1

Part Number:

SEL-NRAPV1-001-XXXX

Data Sheet:

SEL-NRAPV1-001

Neon-module for Indicators or appliances

1. Features

Integrated Neon light-module with internal resistor white polycarbonate plastic holder and AWG#24 (11x0.155Ø) 200mm UL/CSA approved UL-1015 T-105°C white 600V PVC cable with 10mm half-end trims.

Also available with friction-fit polycarbonate lens-cap in translucent Red, Amber, Green & Blue for nap-fit on to 9Ø mm panel cut-out.

LED versions for 12V, 24V, 36-48V, 60V AC/DC & 130V AC and 230V AC are also available.

2. Construction: -

Plastic Holder (Bezel): GE Lexan polycarbonate

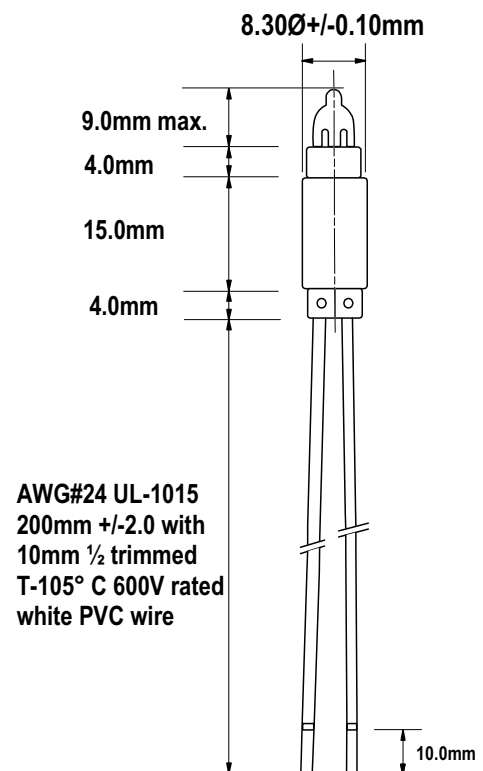
PVC Cable: AWG#24 Stranded 11/0.155Ø NP

UL-1015 CSA AWM VW-1 white

End trim: 10mm half-trim

Options: *Red, Amber, Green and blue Snap-fit*

Lens-cap for 9.0mmØ panel cut-out



Solitronics P/N	For Mains voltage & Current	Neon-Lamp/Resistor combination	Strike Voltage	Ex-works price per 1,000 pcs
SEL-NRAPV1-001-HB01	110-125V 1.25mA	NE613/30HB-2+R47K	95V Max.	High-Bright US\$100.00
SEL-NRAPV1-001-MB01	110-125V 1.35mA	NE613/30HB-1X+R47K	65V Max.	Med.Bright US\$100.00
SEL-NRAPV1-001-G201	110-125V 1.25mA	NE613/30G-2X+R47K	85V Max.	Green US\$135.00
SEL-NRAPV1-001-HB02	230-240V 1.25mA	NE613/30HB-2+R150K	95V Max.	High-Bright US\$100.00
SEL-NRAPV1-001-MB02	230-240V 1.35mA	NE613/30HB-1X+R150K	65V Max.	Med.Bright US\$100.00
SEL-NRAPV1-001-G202	230-240V 1.35mA	NE613/30G-2X+R150K	85V Max.	Green US\$135.00

Note: Plastic Holder: Overall Diameter: 8.300±0.1mm

Smaller-end Diameter: 7.360±0.02mm (For friction-fit to polycarbonate lens cap)

Blue fluorescent versions available upon request.

LED versions in Red, Amber, Green, Blue also available for 24V to 60V AC/DC & 130V, 240V AC