



## Relay Base for Small Power Relays


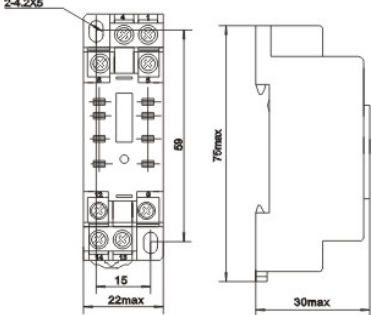
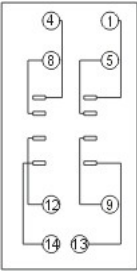
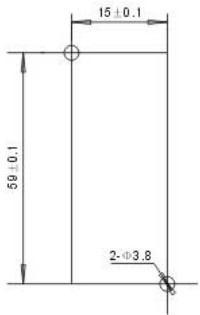

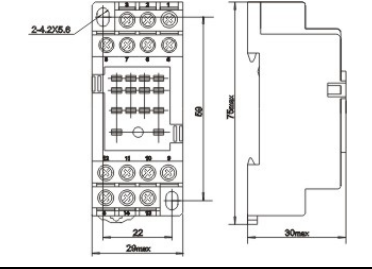
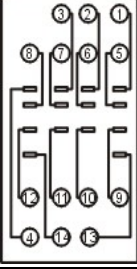
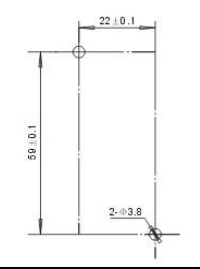

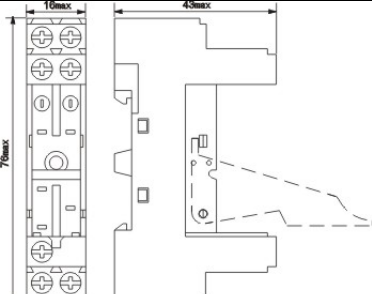
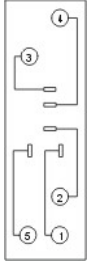
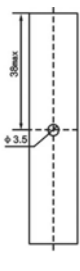

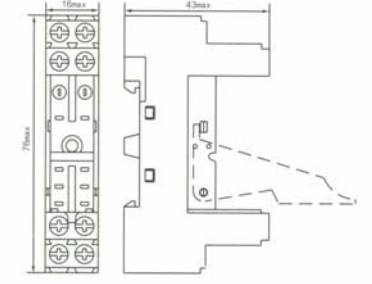
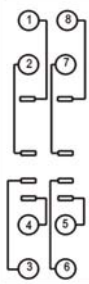
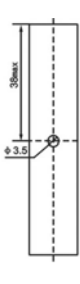
Date:  
**9<sup>th</sup> Aug. 2006**

Group  
 SEL Series

Part Number:  
**Relay Base RY-2, RY-4, PR-1 & PR-2**

Data Sheet:  
**SEL-RB-RY-PR**

Equivalent Part No. PYF08A-E, PYF14A-E, P2RF-05-E & P2RF-08E

	Products appearance	Outline dimensions	Schematic	Mounting dimensions
SEL-RY-2 (PYF08A-E)				
SEL-RY-4 (PYF14A-E)				
SEL-PR-1 (P2RF-05-E)				
SEL-PR-2 (P2RF-08-E)				

No.	SEL Part No.	Equivalent No.	Description	Export Packing	Remarks
1.	SEL-RY-2	PYF08A-E	For SEL MR-2 or Omron MY-2	400 pcs/Carton	10 pcs pack
2.	SEL-RY-4	PYF14A-E	For SEL MR-4 or Omron MY-4	300 pcs/Carton	10 pcs pack
3.	SEL-PR-1	P2RF-05-E	For SEL GR-1 or Omron G2R-1-S	600 pcs/Carton	10 pcs pack
4.	SEL-PR-2	P2RF-08-E	For SEL GR-2 or Omron G2R-2-S	600 pcs/Carton	10 pcs pack