



T-20x45mm BA15D LED Signal Lamp

Date:
13th November 2013

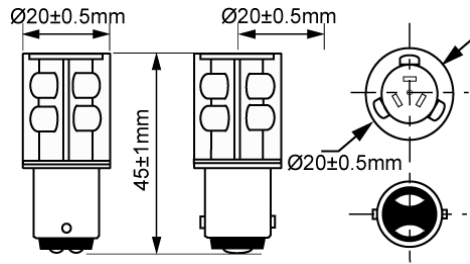
Group:
Based LED-Series

Part Number (20-Digits):
T2045-LD-BA15D-XXXX6

Data Sheet:
SEL-T2045-BA15D-LED6

- T-20x45mm LED Signal lamp with BA15D Base
- 2x3 Rows Super Bright LEDs.
- 180° illumination for stack-light or tower-light.
- High reliability & Cool operation
- Operating Temperature -40°C to +50°C
- Dual-Polarity
- Life-expectancy: 50K Hrs.

T-20x45mm BA15D with 6 LEDs (2x3-Rows)



High-Quality LED BA15D Signal-Lamp with 15 SMD Super-Bright Flashing LEDs for Tower-Light

Electronics and Optical Characteristics: T_a = 25°C

| Solitronics Part No. | Color | Wavelength (nm) | Rated-Voltage (Volts) | Typical Current (mA) | mcd per LED / Viewing Angle | Lumen (lm) Typical | No. of SMD LEDs | Remarks |
|----------------------|--------|-----------------|-----------------------|----------------------|-----------------------------|--------------------|-----------------|---------|
| T2045-LD-BA15D-012R6 | Red | 628 | 12V AC/DC | ≤ 45mA | 600/ (106) | 12 | 6 | |
| T2045-LD-BA15D-012G6 | Green | 530 | 12V AC/DC | ≤ 45mA | 1050/ (102) | 15 | 6 | |
| T2045-LD-BA15D-012Y6 | Yellow | 590 | 12V AC/DC | ≤ 45mA | 480/ (96) | 12 | 6 | |
| T2045-LD-BA15D-012B6 | Blue | 465 | 12V AC/DC | ≤ 45mA | 250/ (98) | 6 | 6 | |
| T2045-LD-BA15D-012W6 | White | X:0.31~Y:0.32 | 12V AC/DC | ≤ 45mA | 1280/ (90) | 27 | 6 | |
| T2045-LD-BA15D-024R6 | Red | 628 | 24V AC/DC | ≤ 25mA | 550/ (106) | 10 | 6 | |
| T2045-LD-BA15D-024G6 | Green | 530 | 24V AC/DC | ≤ 25mA | 1000/ (102) | 12 | 6 | |
| T2045-LD-BA15D-024Y6 | Yellow | 590 | 24V AC/DC | ≤ 25mA | 420/ (96) | 10 | 6 | |
| T2045-LD-BA15D-024B6 | Blue | 465 | 24V AC/DC | ≤ 25mA | 225/ (98) | 4 | 6 | |
| T2045-LD-BA15D-024W6 | White | X:0.31~Y:0.32 | 24V AC/DC | ≤ 25mA | 1200/ (90) | 22 | 6 | |
| T2045-LD-BA15D-130R6 | Red | 628 | 130V AC only | ≤ 20mA | 500/ (106) | 7 | 6 | |
| T2045-LD-BA15D-130G6 | Green | 530 | 130V AC only | ≤ 20mA | 900/ (102) | 8 | 6 | |
| T2045-LD-BA15D-130Y6 | Yellow | 590 | 130V AC only | ≤ 20mA | 390/ (96) | 6 | 6 | |
| T2045-LD-BA15D-130B6 | Blue | 465 | 130V AC only | ≤ 20mA | 200/ (98) | 4 | 6 | |
| T2045-LD-BA15D-130W6 | White | X:0.31~Y:0.32 | 130V AC only | ≤ 20mA | 1100/ (90) | 20 | 6 | |
| T2045-LD-BA15D-230R6 | Red | 628 | 230V AC only | ≤ 20mA | 450/ (106) | 5 | 6 | |
| T2045-LD-BA15D-230G6 | Green | 530 | 230V AC only | ≤ 20mA | 800/ (102) | 6 | 6 | |
| T2045-LD-BA15D-230Y6 | Yellow | 590 | 230V AC only | ≤ 20mA | 370/ (96) | 5 | 6 | |
| T2045-LD-BA15D-230B6 | Blue | 465 | 230V AC only | ≤ 20mA | 180/ (98) | 2.5 | 6 | |
| T2045-LD-BA15D-230W6 | White | X:0.31~Y:0.32 | 230V AC only | ≤ 20mA | 1000/ (90) | 16 | 6 | |

Note: Due to continuous development, all specifications are subject to change without prior notice.

Please confirm all details at time of ordering. Contact: info@solitronics.com



T-20x45mm BA15D SMD LED Signal Lamp

Date:
13th November 2013

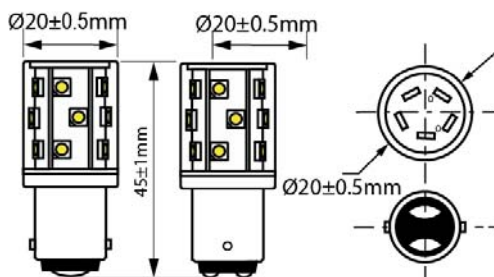
Group:
Based LED-Series

Part Number (18-Digits):
T2045-BA15DXXXVX15

Data Sheet:
SEL-T2045-BA15D-LED15

- LED Signal lamp with BA15D Base
- 3x5 Super Bright 180° SMD LEDs.
- 360° illumination for stack-light or tower-light.
- High reliability & Cool operation
- Operating Temperature -20°C to +50°C
- Dual-Polarity
- Life-expectancy: 50K Hrs.

T-20x45mm BA15D with 15SMD LEDs (3x5-Rows)



High-Quality LED BA15D Signal-Lamp with 15 SMD Super-Bright LEDs for Tower-Light

Electronics and Optical Characteristics: T_a = 25°C

| Solitronics Part No. | Color | Wavelength (nm) | Rated-Voltage (Volts) | Typical Current (mA) | Wattage (W) | Lumen (lm) Typical | No. of SMD LEDs | Remarks |
|----------------------|--------|--------------------|-----------------------|----------------------|-------------|--------------------|-----------------|---------|
| T2045-BA15D012VR15 | Red | 625.4~630 | 12V AC/DC | ≤ 70mA | ≤ 1W | 18 | 15 | |
| T2045-BA15D012VG15 | Green | 525~530.4 | 12V AC/DC | ≤ 50mA | ≤ 1W | 35 | 15 | |
| T2045-BA15D012VY15 | Yellow | 592.5~595 | 12V AC/DC | ≤ 70mA | ≤ 1W | 18 | 15 | |
| T2045-BA15D012VB15 | Blue | 470~473.1 | 12V AC/DC | ≤ 50mA | ≤ 1W | 12 | 15 | |
| T2045-BA15D012VW15 | White | X:0.299 Y:0.326 | 12V AC/DC | ≤ 50mA | ≤ 1W | 50 | 15 | |
| T2045-BA15D024VR15 | Red | 625.4~630 | 24V AC/DC | ≤ 50mA | ≤ 1.5W | 18 | 15 | |
| T2045-BA15D024VG15 | Green | 525~530.4 | 24V AC/DC | ≤ 50mA | ≤ 1.5W | 32 | 15 | |
| T2045-BA15D024VY15 | Yellow | 592.5~595 | 24V AC/DC | ≤ 50mA | ≤ 1.5W | 18 | 15 | |
| T2045-BA15D024VB15 | Blue | 470~473.1 | 24V AC/DC | ≤ 50mA | ≤ 1.5W | 10 | 15 | |
| T2045-BA15D024VW15 | White | X:0.299 Y:0.326 | 24V AC/DC | ≤ 50mA | ≤ 1.5W | 45 | 15 | |
| T2045-BA15D120VR15 | Red | 625.4~630 | 120V AC only | ≤ 20mA | ≤ 2.4W | 8 | 15 | |
| T2045-BA15D120VG15 | Green | 525~530.4 | 120V AC only | ≤ 20mA | ≤ 2.4W | 18 | 15 | |
| T2045-BA15D120VY15 | Yellow | 592.5~595 | 120V AC only | ≤ 20mA | ≤ 2.4W | 8 | 15 | |
| T2045-BA15D120VB15 | Blue | 470~473.1 | 120V AC only | ≤ 20mA | ≤ 2.4W | 6 | 15 | |
| T2045-BA15D120VW15 | White | X:0.299 Y:0.326 | 120V AC only | ≤ 20mA | ≤ 2.4W | 24 | 15 | |
| T2045-BA15D240VR15 | Red | 625.4~630 | 240V AC only | ≤ 20mA | ≤ 4.8W | 12 | 15 | |
| T2045-BA15D240VG15 | Green | 525~530.4 | 240V AC only | ≤ 20mA | ≤ 4.8W | 20 | 15 | |
| T2045-BA15D240VY15 | Yellow | 592.5~595 | 240V AC only | ≤ 20mA | ≤ 4.8W | 12 | 15 | |
| T2045-BA15D240VB15 | Blue | 470~473.1 | 240V AC only | ≤ 20mA | ≤ 4.8W | 6 | 15 | |
| T2045-BA15D240VW15 | White | X:0.299 Y:0.326 | 240V AC only | ≤ 20mA | ≤ 4.8W | 24 | 15 | |

Note: Due to continuous development, all specifications are subject to change without prior notice.

Please confirm all details at time of ordering. Contact: info@solitronics.com



T-20x45mm BA15D SMD LED Signal Lamp

Date:
13th December 2012

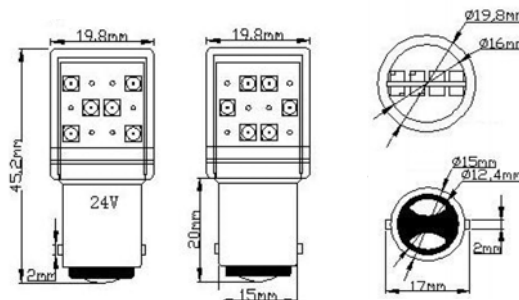
Group:
Based LED-Series

Part Number (18-Digits):
T2045-BA15DXXXVX12

Data Sheet:
SEL-T2045-BA15D-LED12

- T-20x45mm LED Signal lamp with BA15D Base
- 180° illumination for stack-light or tower-light.
- High reliability & Cool operation
- Operating Temperature -20°C to +50°C
- Dual-Polarity
- Life-expectancy: 50K Hrs.

T-20x45mm BA15D with 12SMD LEDs



High-Quality LED BA15D Signal-Lamp with 12 SMD Super-Bright Flashing LEDs for Tower-Light

Electronics and Optical Characteristics: T_a = 25°C

| Solitronics Part No. | Color | Wavelength (nm) | Rated-Voltage (Volts) | Typical Current (mA) | Lumen (lm) Typical | No. of SMD LEDs | Remarks |
|----------------------|--------|-----------------|-----------------------|----------------------|--------------------|-----------------|---------|
| T2045-BA15D012VR12 | Red | 625.4~630 | 12V AC/DC | ≤ 75mA (≤1W) | 20 | 12 | |
| T2045-BA15D012VG12 | Green | 525~530.4 | 12V AC/DC | ≤ 75mA (≤1W) | 35 | 12 | |
| T2045-BA15D012VY12 | Yellow | 592.5~595 | 12V AC/DC | ≤ 75mA (≤1W) | 20 | 12 | |
| T2045-BA15D012VB12 | Blue | 470~473.1 | 12V AC/DC | ≤ 75mA (≤1W) | 12 | 12 | |
| T2045-BA15D012VW12 | White | X:0.299~Y:0.326 | 12V AC/DC | ≤ 75mA (≤1W) | 45 | 12 | |
| T2045-BA15D024VR12 | Red | 625.4~630 | 24V AC/DC | ≤ 50mA (≤1.5W) | 18 | 12 | |
| T2045-BA15D024VG12 | Green | 525~530.4 | 24V AC/DC | ≤ 50mA (≤1.5W) | 32 | 12 | |
| T2045-BA15D024VY12 | Yellow | 592.5~595 | 24V AC/DC | ≤ 50mA (≤1.5W) | 18 | 12 | |
| T2045-BA15D024VB12 | Blue | 470~473.1 | 24V AC/DC | ≤ 50mA (≤1.5W) | 10 | 12 | |
| T2045-BA15D024VW12 | White | X:0.299~Y:0.326 | 24V AC/DC | ≤ 50mA (≤1.5W) | 42 | 12 | |
| T2045-BA15D120VR12 | Red | 625.4~630 | 120V AC only | ≤ 15mA (≤2W) | 15 | 12 | |
| T2045-BA15D120VG12 | Green | 525~530.4 | 120V AC only | ≤ 15mA (≤2W) | 25 | 12 | |
| T2045-BA15D120VY12 | Yellow | 592.5~595 | 120V AC only | ≤ 15mA (≤2W) | 15 | 12 | |
| T2045-BA15D120VB12 | Blue | 470~473.1 | 120V AC only | ≤ 15mA (≤2W) | 8 | 12 | |
| T2045-BA15D120VW12 | White | X:0.299~Y:0.326 | 120V AC only | ≤ 15mA (≤2W) | 35 | 12 | |
| T2045-BA15D240VR12 | Red | 625.4~630 | 240V AC only | ≤ 20mA (≤4.8W) | 12 | 12 | |
| T2045-BA15D240VG12 | Green | 525~530.4 | 240V AC only | ≤ 20mA (≤4.8W) | 20 | 12 | |
| T2045-BA15D240VY12 | Yellow | 592.5~595 | 240V AC only | ≤ 20mA (≤4.8W) | 12 | 12 | |
| T2045-BA15D240VB12 | Blue | 470~473.1 | 240V AC only | ≤ 20mA (≤4.8W) | 6 | 12 | |
| T2045-BA15D240VW12 | White | X:0.299~Y:0.326 | 240V AC only | ≤ 20mA (≤4.8W) | 30 | 12 | |

Note: Due to continuous development, all specifications are subject to change without prior notice.

Please confirm all details at time of ordering. Contact: info@solitronics.com



固體電子有限公司
Solitronics Engineering Ltd.

Tel : (852) 2730-8145

Fax : (852) 2730-3245

2202, Perfect Ind. Bldg., 31 Tai Yau St., Kowloon, Hong Kong S.A.R., China E-mail: info@solitronics.com

T-17x45mm BA15D Multi SMD LED Signal Lamp
For use with Schneider-Telemecanique; Werma;
Pfannenberg; J Auer and other Tower or Stack-Light
12V AC/DC 24V AC/DC, 130V AC/DC & 230V AC/DC

Date:

12th Sep 2012

LED Signal Lamps

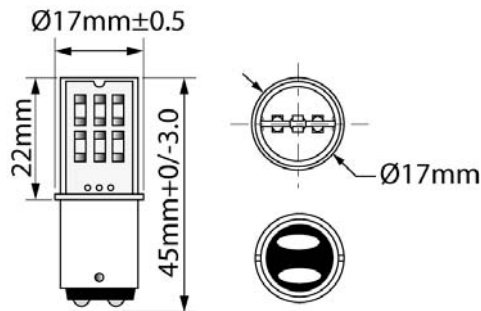
Part Number:

T-1745-15D-XXXX

Data Sheet:

SK-T1745-15D-12-230

12V AC/DC I_o=60mA; 24V AC/DC I_o=30mA, 130V AC only & 230VAC only; I_o≤ 20mA



RoHS

Features & Application

Solitronics Engineering Ltd E-mail: info@solitronics.com

- Shock Resistant; Cool-Operation and Long Life-expectancy
- Low-power consumption (12V@60mA Max.; 24V@30mA Max.; 130V@20mA Max to 230V@20mA Max.)
- 360 degrees wide lateral viewing angle; Each lamp with 12 Super-Brightness SMD LED-chips;
- Non-polarized on DC Operation, available in Super-Brightness Red, Yellow, Pure-Green, Blue and True-White.

Physical Dimensions

Ø17±0.5x45mm Max. will fit current J Auer, Werma, Pfannenberg, Schneider-Telemecanique & other Tower Lights

| Solitronics Part No. | Nominal Rated Voltage | Current Typical | Colour | Wavelength (nm) | Typical Brightness | Remarks |
|----------------------|-----------------------|-----------------|--------|-----------------|--------------------|---------|
| T-1745-15D-012R | 12V AC/DC | 60mA Max. | Red | 618 | 400-450 | |
| T-1745-15D-012G | | | Green | 530 | 500-550 | |
| T-1745-15D-012Y | | | Yellow | 590 | 400-450 | |
| T-1745-15D-012B | | | Blue | 465 | 100-150 | |
| T-1745-15D-012W | | | White | x:0.31 y:0.32 | 250-300 | |
| T-1745-15D-024R | 24V AC/DC | 40mA Max. | Red | 618 | 400-450 | |
| T-1745-15D-024G | | | Green | 530 | 500-550 | |
| T-1745-15D-024Y | | | Yellow | 590 | 400-450 | |
| T-1745-15D-024B | | | Blue | 465 | 100-150 | |
| T-1745-15D-024W | | | White | x:0.31 y:0.32 | 250-300 | |
| T-1745-15D-130R | 130V AC only | 20mA Max. | Red | 618 | 400-450 | |
| T-1745-15D-130G | | | Green | 530 | 500-550 | |
| T-1745-15D-130Y | | | Yellow | 590 | 400-450 | |
| T-1745-15D-130B | | | Blue | 465 | 100-150 | |
| T-1745-15D-130W | | | White | x:0.31 y:0.32 | 250-300 | |
| T-1745-15D-230R | 230V AC only | 20mA Max. | Red | 618 | 400-450 | |
| T-1745-15D-230G | | | Green | 530 | 500-550 | |
| T-1745-15D-230Y | | | Yellow | 590 | 400-450 | |
| T-1745-15D-230B | | | Blue | 465 | 100-150 | |
| T-1745-15D-230W | | | White | x:0.31 y:0.32 | 250-300 | |

Packing: 20 pcs per inner box; 500 pcs or 1,000 pcs per export carton. Self-flashing type available on request

Note: All specification and prices are subjected to change without prior notice.



T-25x45mm BA15D LED Signal Lamp

Date:
27th November, 2009

Group:

BASED LED-Series

Part Number:

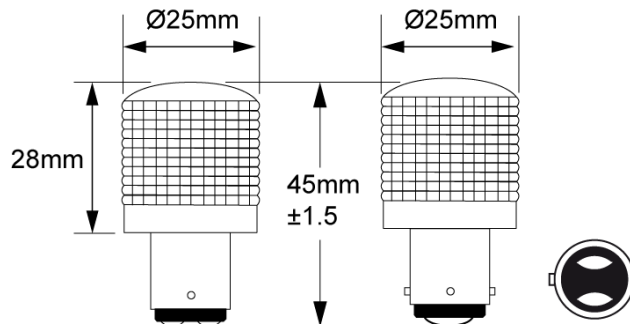
T25-BA15DXXXVX10

Data Sheet No.

SEL-T2545-BA15D-LED10

- T-25x45mm LED BA15d Base
- 2x 5 Rows Super Bright LEDs.
- 360° illumination for stack-light or tower-light.
- High-reliability & Cool operation
- Operating Temperature Range: -40°C to +50°C
- Non-Polarized on D.C.
- Life-expectancy: 50 K Hrs.

T-25x45mm BA15D with 10 LEDs (2x5-Rows)



Low-cost T-25mm BA15D LED Signal-lamp with 10 Super-Bright LEDs for Tower-Light

Electronics and Optical Characteristics: T_a = 25°C

| Solitronics Part No. | Color | Rated-Voltage (Volts) | Typical Current (mA) | Intensity per LED (mcd) | Wavelength (nm) | No. of LEDs | Remarks |
|-----------------------|--------|-----------------------|----------------------|-------------------------|-----------------|-------------|---------|
| T2545-LD-BA15D-012R10 | Red | 12V AC/DC | 35mA | 5000 | 628 | 10 | |
| T2545-LD-BA15D-012Y10 | Yellow | 12V AC/DC | 35mA | 5000 | 590 | 10 | |
| T2545-LD-BA15D-012G10 | Green | 12V AC/DC | 35mA | 23000 | 530 | 10 | |
| T2545-LD-BA15D-012B10 | Blue | 12V AC/DC | 35mA | 8000 | 465 | 10 | |
| T2545-LD-BA15D-012W10 | White | 12V AC/DC | 35mA | 21900 | X:0.29 Y:0.28 | 10 | |
| T2545-LD-BA15D-024R10 | Red | 24V AC/DC | 20mA | 5000 | 628 | 10 | |
| T2545-LD-BA15D-024Y10 | Yellow | 24V AC/DC | 20mA | 5000 | 590 | 10 | |
| T2545-LD-BA15D-024G10 | Green | 24V AC/DC | 20mA | 23000 | 530 | 10 | |
| T2545-LD-BA15D-024B10 | Blue | 24V AC/DC | 20mA | 8000 | 465 | 10 | |
| T2545-LD-BA15D-024W10 | White | 24V AC/DC | 20mA | 21900 | X:0.29 Y:0.28 | 10 | |
| T2545-LD-BA15D-120R10 | Red | 120V AC/DC | 18mA | 5000 | 628 | 10 | |
| T2545-LD-BA15D-120Y10 | Yellow | 120V AC/DC | 18mA | 5000 | 590 | 10 | |
| T2545-LD-BA15D-120G10 | Green | 120V AC/DC | 18mA | 23000 | 530 | 10 | |
| T2545-LD-BA15D-120B10 | Blue | 120V AC/DC | 18mA | 8000 | 465 | 10 | |
| T2545-LD-BA15D-120W10 | White | 120V AC/DC | 18mA | 21900 | X:0.29 Y:0.28 | 10 | |
| T2545-LD-BA15D-240R10 | Red | 240V AC/DC | 18mA | 5000 | 628 | 10 | |
| T2545-LD-BA15D-240Y10 | Yellow | 240V AC/DC | 18mA | 5000 | 590 | 10 | |
| T2545-LD-BA15D-240G10 | Green | 240V AC/DC | 18mA | 23000 | 530 | 10 | |
| T2545-LD-BA15D-240B10 | Blue | 240V AC/DC | 18mA | 8000 | 465 | 10 | |
| T2545-LD-BA15D-240W10 | White | 240V AC/DC | 18mA | 21900 | X:0.29 Y:0.28 | 10 | |

Note: Due to continuous development, all specifications are subject to change without prior notice.
 Please confirm all details at time of ordering. Contact: info@solitronics.com
 Other voltage rating (e.g. 48VAC/DC, 60VAC/DC) are also available on request.



T-25x44mm BA15s LED Signal Lamp

Date:

10th September 2012

Group:

BASED LED-Series

Part Number:

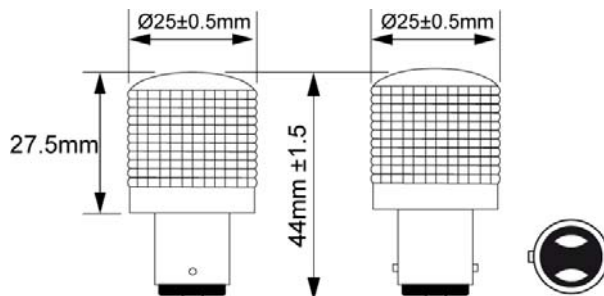
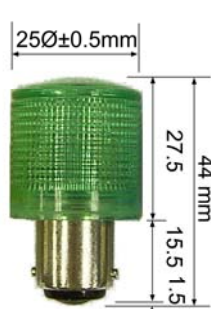
T2544-LD-BA15S-XX-X

Data Sheet:

SEL-T2544-BA15S-V3

(Draft Catalogue)

High Brightness LED BA15S Based LED Signal lamps



T-25x44mm BA15S



- Super-bright LED Signal lamps with 360 degree illumination for Stack Light or Tower light.
- Low power consumption and cool operation with long life-expectancy
- Available in Super-bright Red, Yellow, Amber, Green, Blue and White.

| Solitronics Part No. BA15S | Operating Voltage | Current | Colour | Price per piece | Remark |
|-------------------------------|-------------------|---------|---------------------|-----------------|--------|
| T2544-LD-BA15S-12R | 12V AC/DC | ≤ 80mA | 10-Chips-LED Red | US\$3.50 | |
| T2544-LD-BA15S-12Y | 12V AC/DC | ≤ 80mA | 10-Chips-LED Yellow | US\$3.50 | |
| T2544-LD-BA15S-12G | 12V AC/DC | ≤ 80mA | 10-Chips-LED Green# | US\$6.50 | |
| T2544-LD-BA15S-12B | 12V AC/DC | ≤ 80mA | 10-Chips-LED Blue# | US\$6.50 | |
| T2544-LD-BA15S-12W | 12V AC/DC | ≤ 80mA | 10-Chips-LED White# | US\$6.50 | |
| T2544-LD-BA15S-24R | 24V AC/DC | ≤ 40mA | 10-Chips-LED Red | US\$3.50 | |
| T2544-LD-BA15S-24Y | 24V AC/DC | ≤ 40mA | 10-Chips-LED Yellow | US\$3.50 | |
| T2544-LD-BA15S-24G | 24V AC/DC | ≤ 40mA | 10-Chips-LED Green# | US\$6.50 | |
| T2544-LD-BA15S-24B | 24V AC/DC | ≤ 40mA | 10-Chips-LED Blue# | US\$6.50 | |
| T2544-LD-BA15S-24W | 24V AC/DC | ≤ 40mA | 10-Chips-LED White# | US\$6.50 | |
| T2544-LD-BA15S-120R | 110V AC only | ≤ 20mA | 10-Chips-LED Red | US\$3.50 | |
| T2544-LD-BA15S-120Y | 110V AC only | ≤ 20mA | 10-Chips-LED Yellow | US\$3.50 | |
| T2544-LD-BA15S-120G | 110V AC only | ≤ 20mA | 10-Chips-LED Green# | US\$6.50 | |
| T2544-LD-BA15S-120B | 110V AC only | ≤ 20mA | 10-Chips-LED Blue# | US\$6.50 | |
| T2544-LD-BA15S-120W | 110V AC only | ≤ 20mA | 10-Chips-LED White# | US\$6.50 | |
| T2544-LD-BA15S-230R | 220V AC only | ≤ 20mA | 10-Chips-LED Red | US\$3.50 | |
| T2544-LD-BA15S-230Y | 220V AC only | ≤ 20mA | 10-Chips-LED Yellow | US\$3.50 | |
| T2544-LD-BA15S-230G | 220V AC only | ≤ 20mA | 10-Chips-LED Green# | US\$6.50 | |
| T2544-LD-BA15S-230B | 220V AC only | ≤ 20mA | 10-Chips-LED Blue# | US\$6.50 | |
| T2544-LD-BA15S-230W | 220V AC only | ≤ 20mA | 10-Chips-LED White# | US\$6.50 | |

Remarks:

- Packing: 50 pcs per box; 500 pcs per export-carton GW: 11Kg; 32x32x32cm or 1,000 pcs per export carton GW : 22Kg; 32x32x60cm
- # Indicates the use of Super high-efficient GAN LEDs which are sensitive to electrostatic electricity.
- 12V AC/DC, 24V AC/DC types are non-polarized and with bridge-rectifier. (i.e. on DC operation +ve terminal can be connected to either the center-bottom-contact or to the side-contact.
- Due to continuous development and improvement, all specifications and availability are subject to change without prior notice.



T-25x54mm BA15D LED Signal Lamp

Date:
25th June 2012

Group:

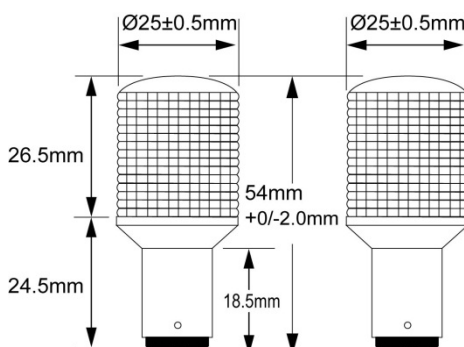
Part Number (16-Digits):
T2554-BA15DXXXVX10

Data Sheet:
SEL-T2554-BA15D-LED10

T-25x55mm LED BA15d Base

- 2x 5 Rows Super Bright LEDs.
- 360° illumination for stack-light or tower-light.
- High-reliability & Cool operation
- Operating Temperature Range: -40°C to +50°C
- Non-Polarized on D.C.
- Life-expectancy: 50 K Hrs.

T-25x45mm BA15D with 10 LEDs (2x5-Rows)



Low-cost T-25mm BA15D LED Signal-lamp with 10 Super-Bright LEDs for Tower-Light

Electronics and Optical Characteristics: T_a = 25°C

| Solitronics Part No. | Color | Rated-Voltage (Volts) | Typical Current (mA) | Intensity per LED (mcd) | Wavelength (nm) | No. of LEDs | Remarks |
|-----------------------|--------|-----------------------|----------------------|-------------------------|-----------------|-------------|---------|
| T2554-LD-BA15D-012R10 | Red | 12V AC/DC | ≤ 40mA | 5000 | 628 | 10 | |
| T2554-LD-BA15D-012G10 | Green | 12V AC/DC | ≤ 40mA | 23000 | 530 | 10 | |
| T2554-LD-BA15D-012Y10 | Yellow | 12V AC/DC | ≤ 40mA | 5000 | 590 | 10 | |
| T2554-LD-BA15D-012B10 | Blue | 12V AC/DC | ≤ 40mA | 8000 | 465 | 10 | |
| T2554-LD-BA15D-012W10 | White | 12V AC/DC | ≤ 40mA | 21900 | X:0.29 Y:0.28 | 10 | |
| T2554-LD-BA15D-024R10 | Red | 24V AC/DC | ≤ 20mA | 5000 | 628 | 10 | |
| T2554-LD-BA15D-024G10 | Green | 24V AC/DC | ≤ 20mA | 23000 | 530 | 10 | |
| T2554-LD-BA15D-024Y10 | Yellow | 24V AC/DC | ≤ 20mA | 5000 | 590 | 10 | |
| T2554-LD-BA15D-024B10 | Blue | 24V AC/DC | ≤ 20mA | 8000 | 465 | 10 | |
| T2554-LD-BA15D-024W10 | White | 24V AC/DC | ≤ 20mA | 21900 | X:0.29 Y:0.28 | 10 | |
| T2554-LD-BA15D-120R10 | Red | 120V AC/DC | ≤ 20mA | 5000 | 628 | 10 | |
| T2554-LD-BA15D-120G10 | Green | 120V AC/DC | ≤ 20mA | 23000 | 530 | 10 | |
| T2554-LD-BA15D-120Y10 | Yellow | 120V AC/DC | ≤ 20mA | 5000 | 590 | 10 | |
| T2554-LD-BA15D-120B10 | Blue | 120V AC/DC | ≤ 20mA | 8000 | 465 | 10 | |
| T2554-LD-BA15D-120W10 | White | 120V AC/DC | ≤ 20mA | 21900 | X:0.29 Y:0.28 | 10 | |
| T2554-LD-BA15D-240R10 | Red | 240V AC only | ≤ 20mA | 5000 | 628 | 10 | |
| T2554-LD-BA15D-240G10 | Green | 240V AC only | ≤ 20mA | 23000 | 530 | 10 | |
| T2554-LD-BA15D-240Y10 | Yellow | 240V AC only | ≤ 20mA | 5000 | 590 | 10 | |
| T2554-LD-BA15D-240B10 | Blue | 240V AC only | ≤ 20mA | 8000 | 465 | 10 | |
| T2554-LD-BA15D-240W10 | White | 240V AC only | ≤ 20mA | 21900 | X:0.29 Y:0.28 | 10 | |

Note: Due to continuous development, all specifications are subject to change without prior notice.

Please confirm all details at time of ordering. Contact: info@solitronics.com
Other voltage rating (e.g. 48VAC/DC, 60VAC/DC) are also available on request.



SOLITRONICS ENGINEERING LTD.

TEL: (852) 2730-8145

FAX: (852) 2730-3245

E-mail: info@solitronics.com

New RoHS Compliant T-16x45mm BA15D Signal Lamp for Tower/Stack Light

Date:

November 21, 2005

Group T-16:
T-16x45-B15DR

Part Number:
T-16x45-B15DR-XXXVXW

Data Sheet:

SEL-T1645-B15DR-003

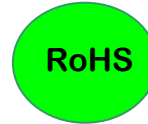
Special Tubular Signal Lamp for Tower/Stack Light

1. Description: -

RoHS Compliant high-quality tubular T-16mm BA15D signal lamp for tower/stack light.

2. Operating Conditions: -

24V 5W
120V 5W
230V 5W

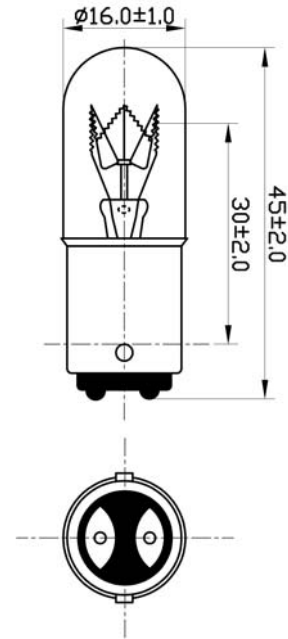


3. Filament Configurations: -

24V 5W C-2V (1-support) LCL=30mm Typical
120V 5W C-5A (5-supports) LCL=30mm Typical
230V 5W CC-5A (5-supports) LCL=30mm Typical

4. Dimensions: -

Lamp Diameter: 16mm +/-1.0mm
Lamp-length: 45mm +/-2.0mm



5. Lamp Base & Marking

IEC BA15D High-Quality Nickel plated brass base with eye-shape contacts & with tin-silver-copper non-lead soldering.
Marking: Voltage and Wattage.

Solitronics Engineering Ltd. E-mail: info@solitronics.com

6. Electrical Rating: -

| Part No. | Operating Voltage | Wattage +/-10% | Luminous Flux +/-25% | Life-expectancy | Marking on Base | OEM Price per 1,000 pcs |
|---------------------|-------------------|----------------|----------------------|------------------------------|-----------------|-------------------------|
| T-1645-B15DR-24V5W | 24V | 5.0W | 25 Lumens | 2,000 Hrs AC 1,000 Hrs DC | 24V 5W | |
| T-1645-B15DR-120V5W | 120V | 5.0W | 20 Lumens | 2,000 Hrs AC 1,000 Hrs DC | 120V 5W | |
| T-1645-B15DR-230V5W | 230V | 5.0W | 10 Lumens | 2,000 Hrs AC 1,000 Hrs DC | 230V 5W | |

7. Application

RoHS Complaint lamp for Schneider-Telemecanique, Werma or Auer Tower Light or Stack Light

8. Standard Packing

50 pcs per inner crated box; 1,000 pcs per Export Carton Size: 43x23x29cm; G.W.: 10Kgs.
Each inner box and export carton to be with label indicating Lamp type, Voltage, wattage and quantity.

Note: Due to continuous development, all specifications are subject to change without prior notice.



SOLITRONICS ENGINEERING LTD.

TEL: (852) 2730-8145

FAX: (852) 2730-3245

E-mail: info@solitronics.com

New RoHS Compliant T-16x45mm BA15S Signal Lamp for Tower/Stack Light

Date:

15th December, 2011

Group T-16:
T-16x45-B15S

Part Number:
T-16x45-B15S-XXXVXW

Data Sheet:

SEL-T1645-B15SR-004

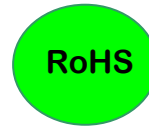
Special Tubular Signal Lamp for Tower/Stack Light

1. Description: -

RoHS Compliant high-quality tubular T-16mm BA15S signal lamp for tower/stack light.

2. Operating Conditions: -

24V 5W
120V 5W
230V 5W

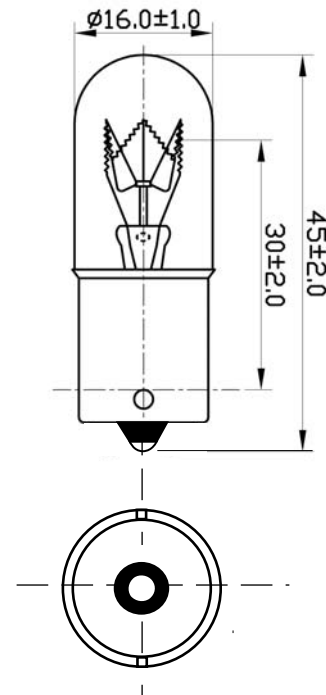


3. Filament Configurations: -

24V 5W C-2V (1-support) LCL=30mm Typical
120V 5W C-5A (5-supports) LCL=30mm Typical
230V 5W CC-5A (5-supports) LCL=30mm Typical

4. Dimensions: -

Lamp Diameter: 16mm +/-1.0mm
Lamp-length: 45mm +/-2.0mm



5. Lamp Base & Marking

IEC BA15S High-Quality Nickel plated brass base & with tin-silver-copper non-lead soldering.
Marking: Voltage and Wattage.

Solitronics Engineering Ltd. E-mail: info@solitronics.com

6. Electrical Rating: -

| Part No. | Operating Voltage | Wattage +/-10% | Luminous Flux +/-25% | Life-expectancy | Marking on Base | OEM Price per 1,000 pcs |
|---------------------|-------------------|----------------|----------------------|------------------------------|-----------------|-------------------------|
| T-1645-B15SR-24V5W | 24V | 5.0W | 25 Lumens | 2,000 Hrs AC 1,000 Hrs DC | 24V 5W | US\$370 |
| T-1645-B15SR-120V5W | 120V | 5.0W | 20 Lumens | 2,000 Hrs AC 1,000 Hrs DC | 120V 5W | US\$460 |
| T-1645-B15SR-230V5W | 230V | 5.0W | 10 Lumens | 2,000 Hrs AC 1,000 Hrs DC | 230V 5W | US\$500 |

7. Application

RoHS Complaint lamp for Schneider-Telemecanique, Werma or Auer Tower Light or Stack Light

8. Standard Packing

50 pcs per inner crated box; 1,000 pcs per Export Carton Size: 43x23x29cm; G.W.: 10Kgs.
Each inner box and export carton to be with label indicating Lamp type, Voltage, wattage and quantity.

Note: Due to continuous development, all specifications are subject to change without prior notice.